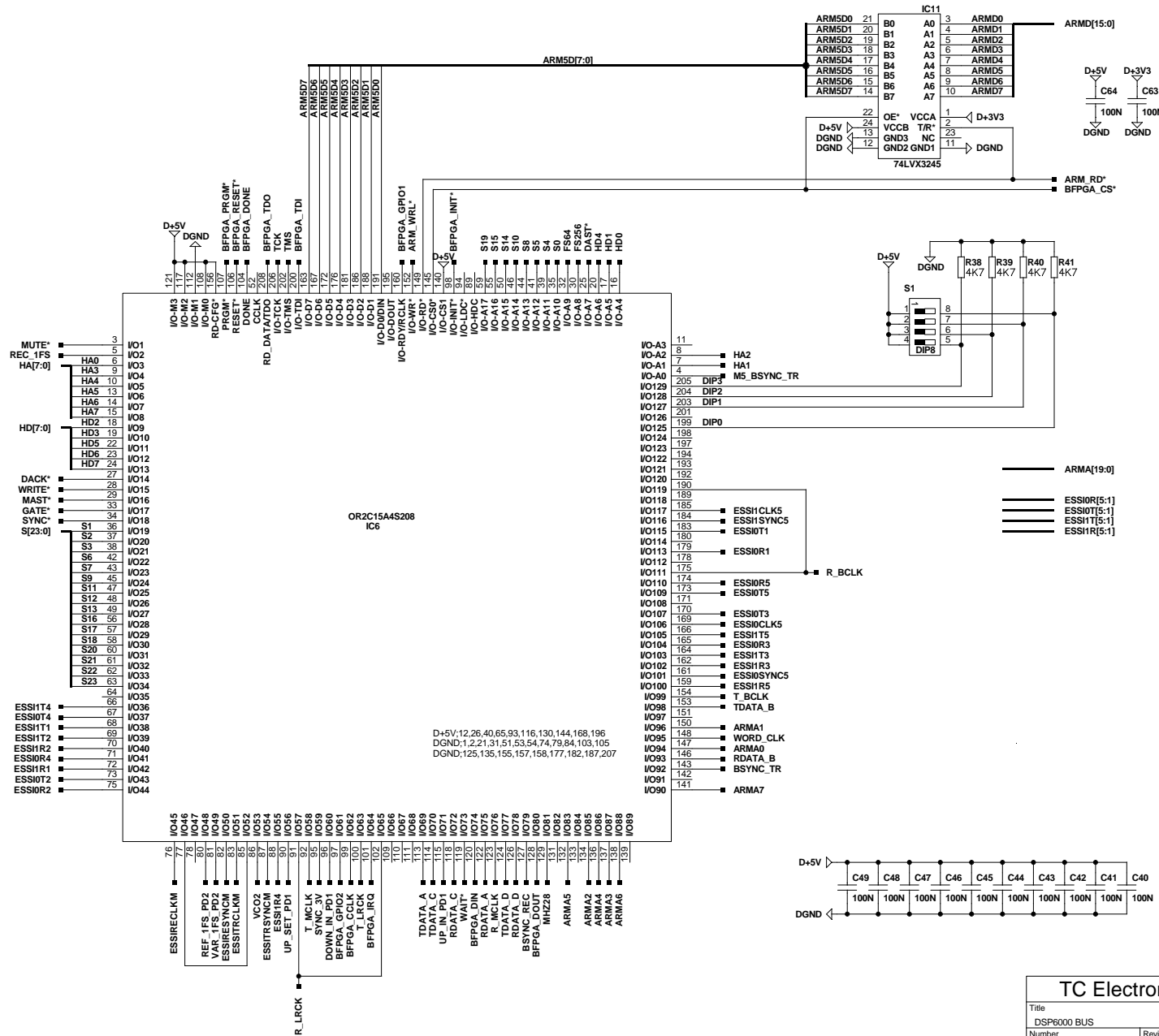
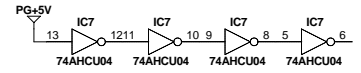
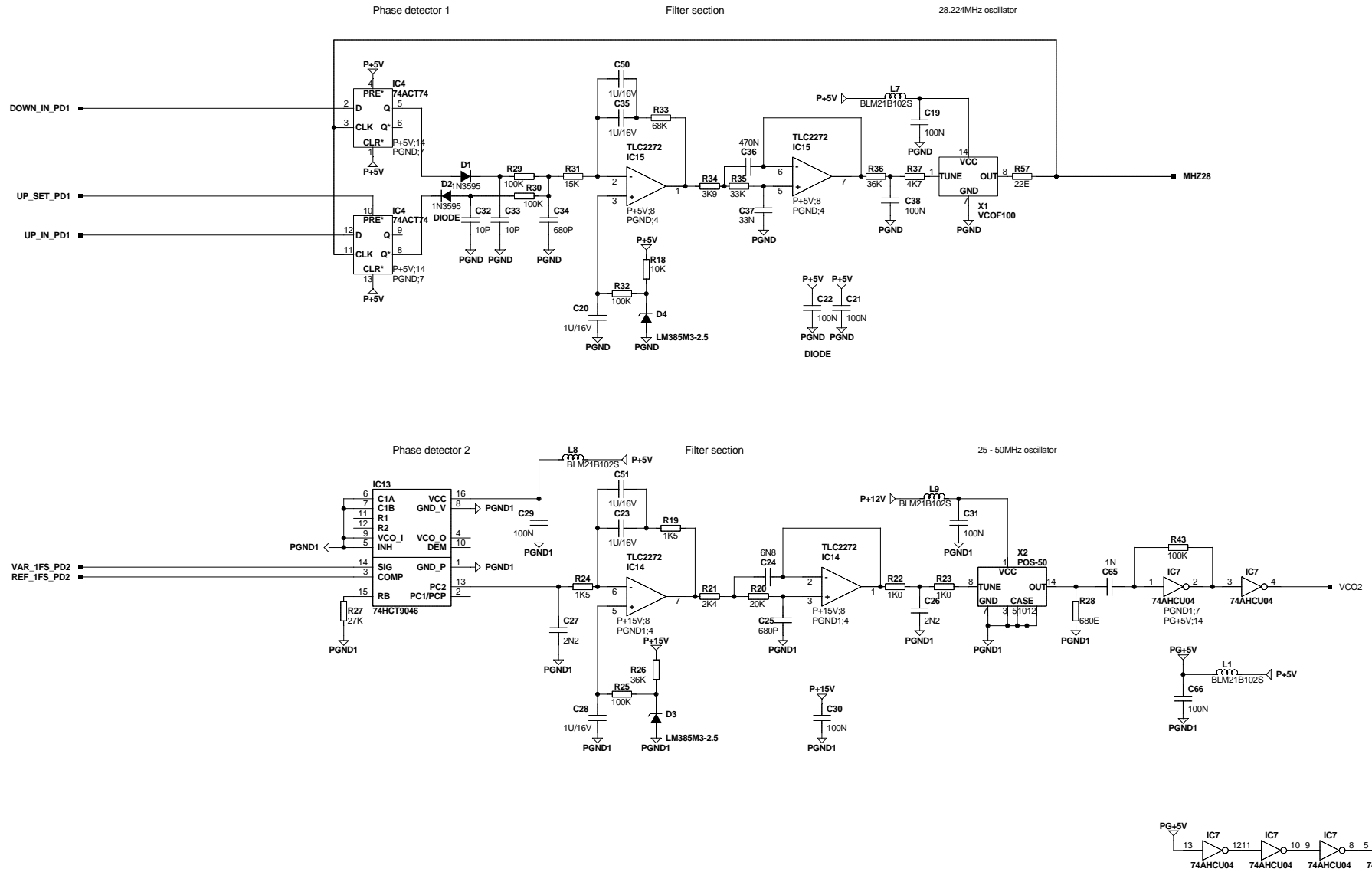


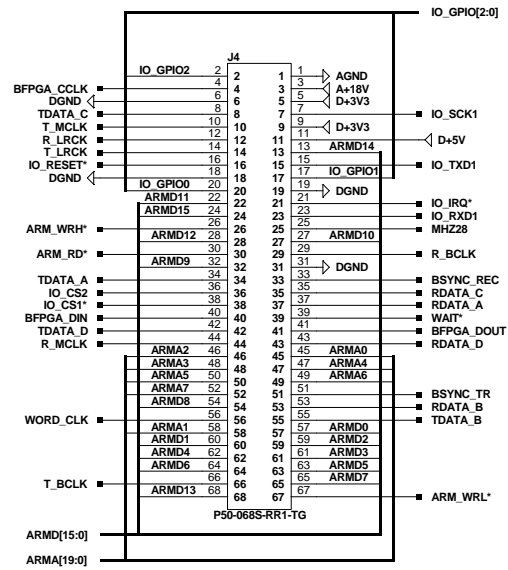
TC Electronic A/S		Designer	
Title	DSP6000 BUS	Module title	MCHK/CGF
Number	M5022	Revision	2.1
Date	6-14-2000 16:13	Filename	M5022-21
		Previous page	XX
		Page / of	1 / 7

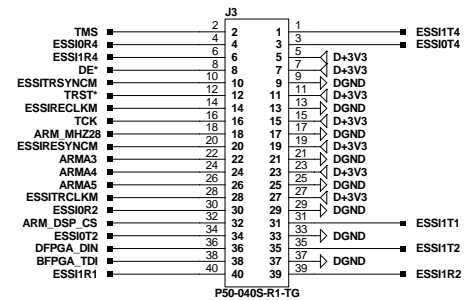
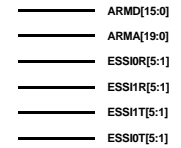
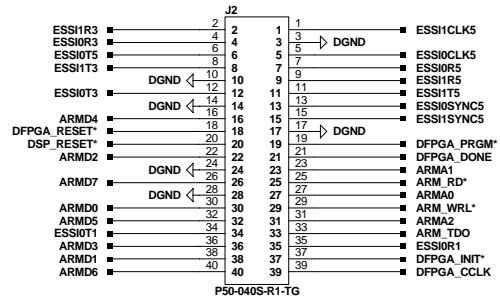


TC Electronic A/S		Designer
Title	DSP6000 BUS	MCHK/CGF
Module title	BUS FPGA	
Number	M5022	Revision
Date	3-7-2000 11:15	File name
Page / of	3 / 7	Previous page
		Page / of

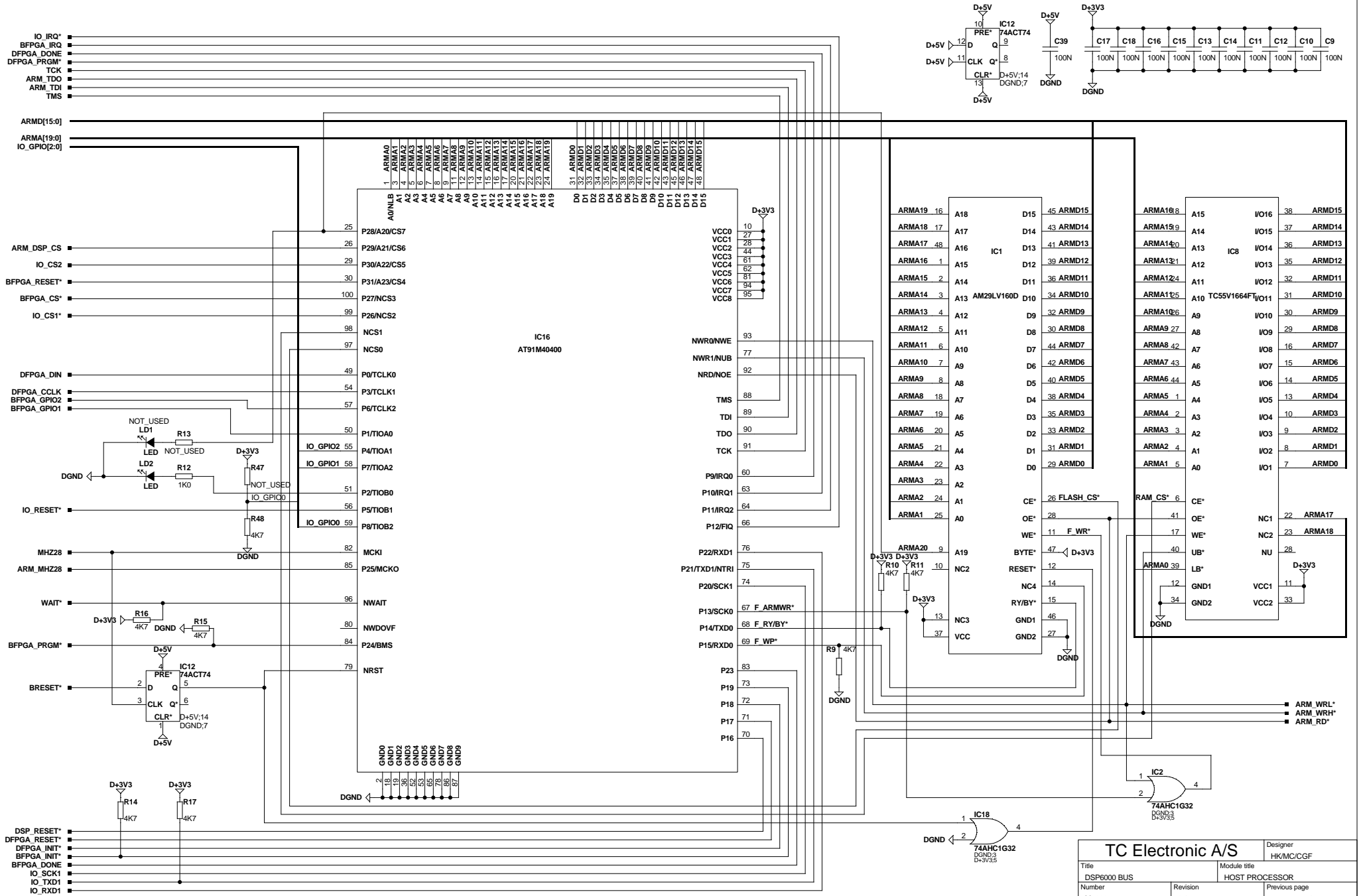


TC Electronic A/S		Designer
Title	DSP6000 BUS	MCHK/CGF
Module title	DSP6000 PLL	
Number	M5022	Revision
Revision	2.1	Previous page
Date	3-7-2000 11:17	Filename
Filename	PLL_CLK	Page / of
Page / of	4 / 7	





TC Electronic A/S		Designer
		MCHK/CGF
Title	DSP6000 BUS	Module title
		DSP_CON
Number	M5022	Revision
		2.1
Date	3-7-2000 11:20	Filename
		DSP_CON
		Previous page
		1
		Page / of
		6 / 7



TC Electronic A/S		Designer
Title	DSP6000 BUS	HK/MC/CGF
Module title	HOST PROCESSOR	
Number	Revision	Previous page
M5022	2.1	1
Date	Filename	Page / of
4-5-2001 15:06	HOST_PROCESSOR	7 / 7