

Service Note		
Product	Description:	Service note no.
BG500 Combo BH500 Bass Amp	Product will not turn on	SNo-T0158

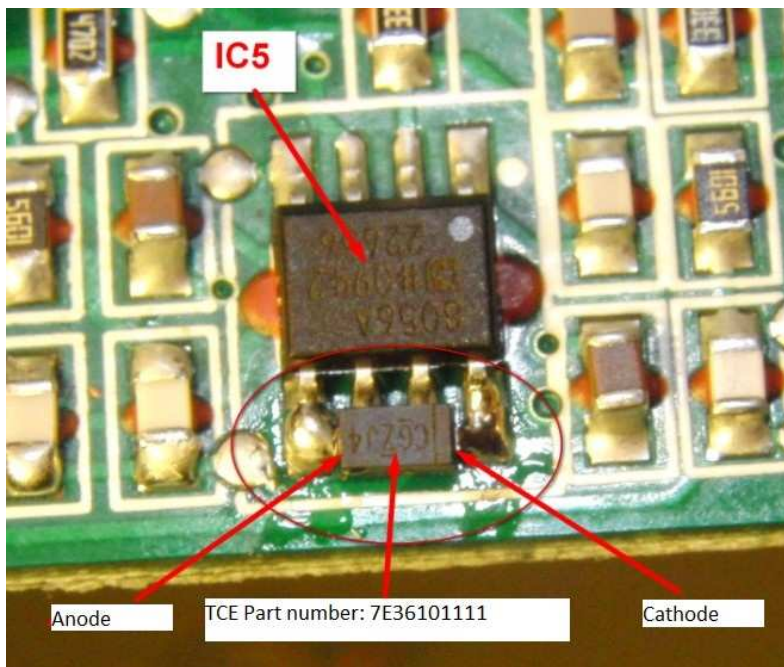
Reason for note:

We have encountered a problem on a few of the BG500 Combos and BH500 Amps. Intermittent during boot up they will go into protection.

Actions:

If a product comes in with an error like mentioned, it can be a latch-up problem on the amp board.

Please mount a 40V 500mA Schottky Barrier Diode, MBR0540 or equivalent as shown on the photo below between pin 5 and 8 on IC5:



The IC can be purchased at TC. Please refer to the spare part list.

Please handle these errors as standard repairs.

IMPORTANT:

This repair should only be carried out by skilled technicians.