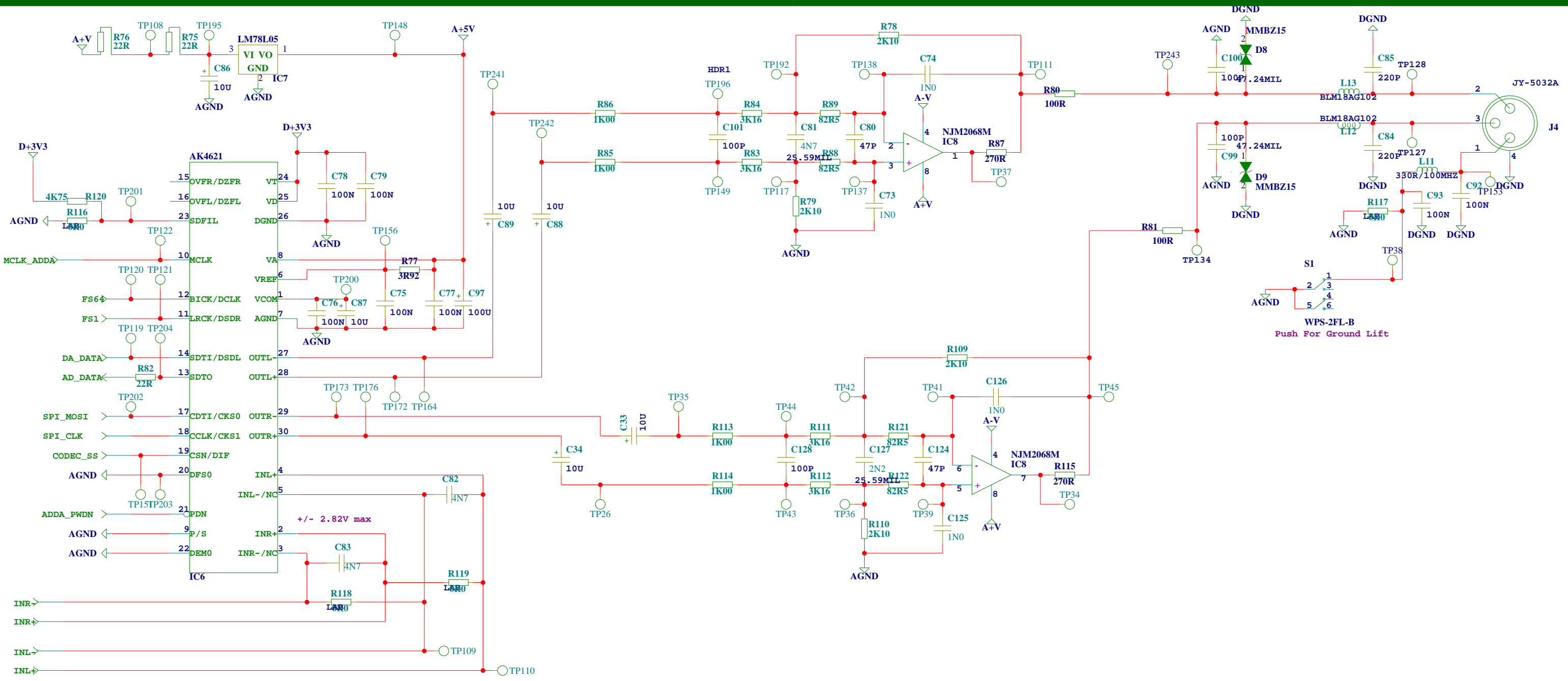
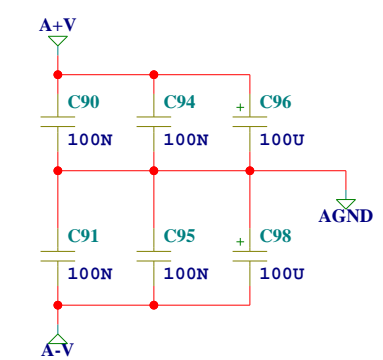


P22622-B  
M1

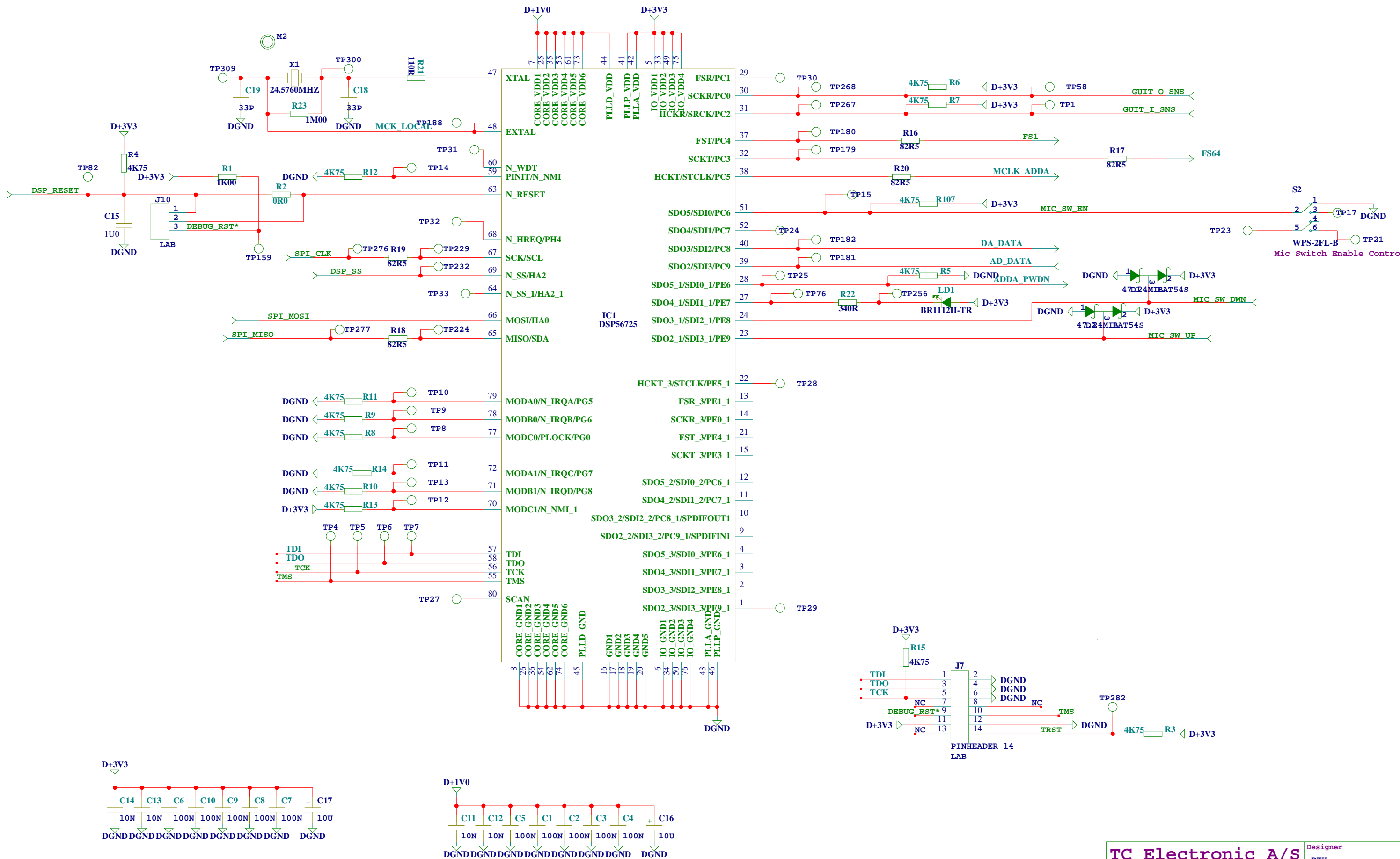
TC Electronic A/S		Designer DKH
Title <b>Q400</b>	Module title <b>MAINBOARD</b>	
Number P22622-B	Revision BAB	Previous page XX
Date 5-3-2010_16:24	Filename P22622-B	Page / of XX / XX



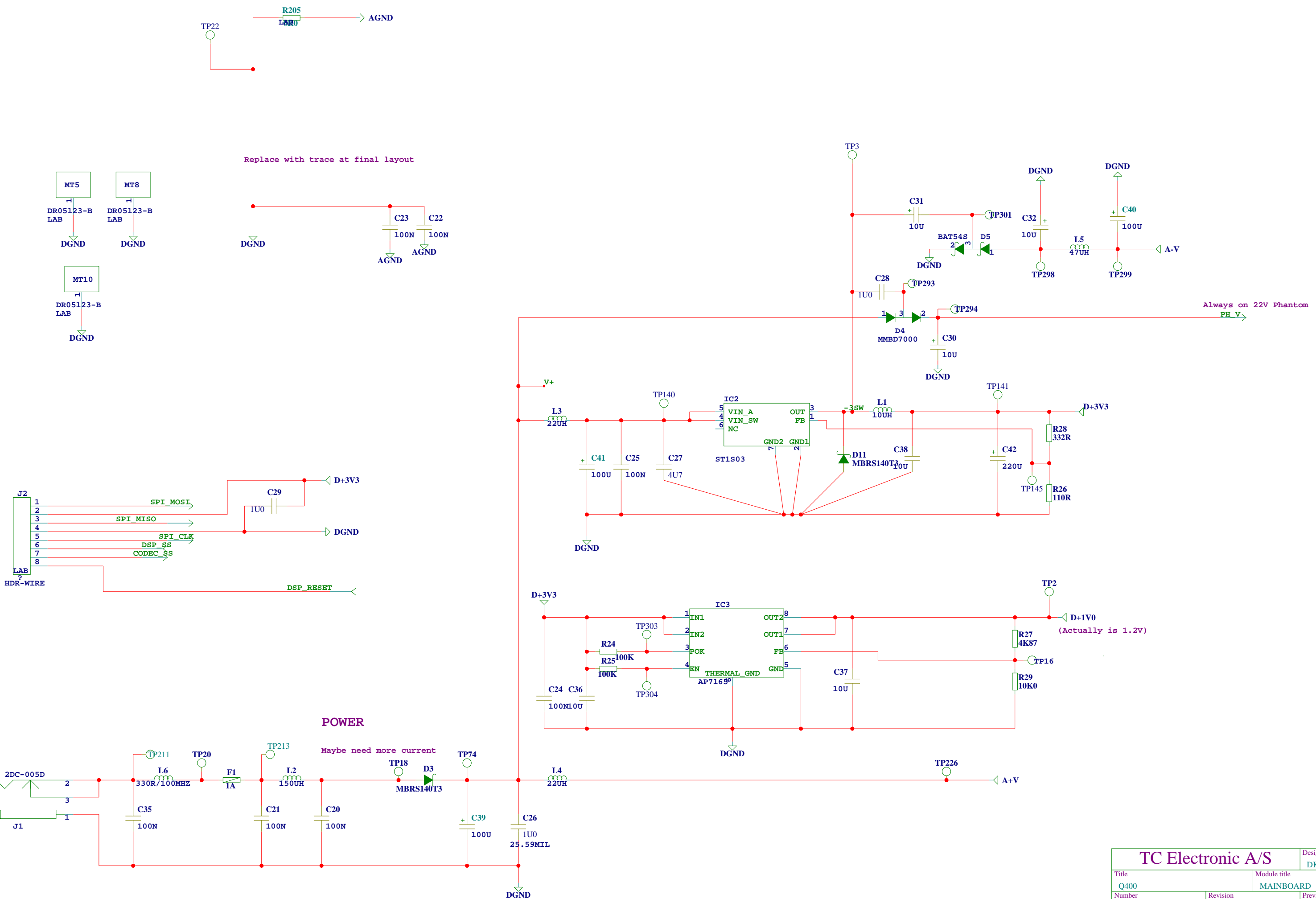
DECOUPLING FOR OUTPUT SECTION



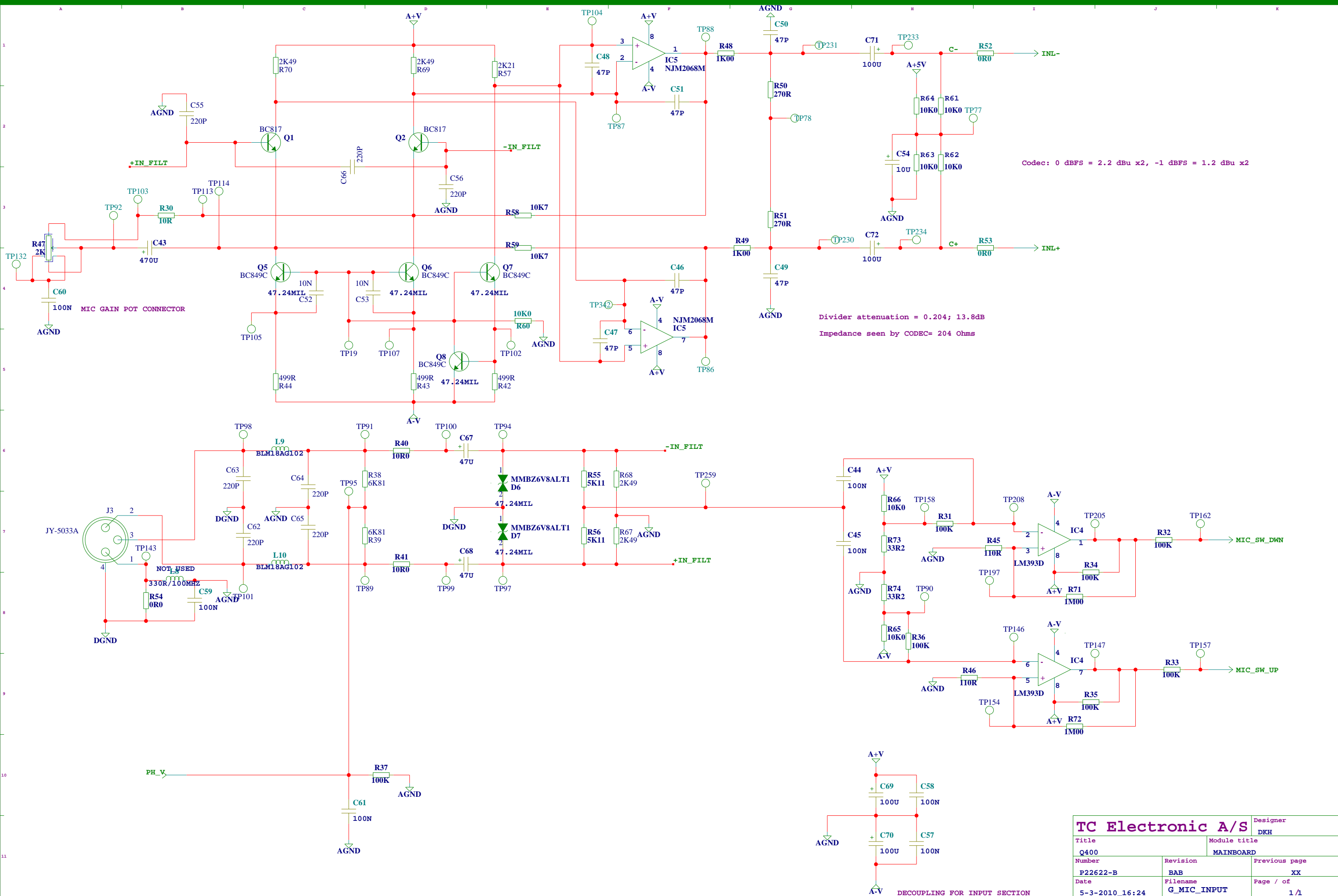
TC Electronic A/S		Designer DKH
Title Q400	Module title MAINBOARD	
Number P22622-B	Revision BAB	Previous page XX
Date 5-3-2010_16:24	Filename HG_ANALOG_OUT	Page / of XX / XX



<b>TC Electronic A/S</b>		Designer DKH
Title Q400	Module title MAINBOARD	
Number P22622-B	Revision BAB	Previous page XX
Date 5-3-2010 16:24	Filename DSP725	Page / of 1 / 1



TC Electronic A/S		Designer DKH
Title Q400	Module title MAINBOARD	
Number P22622-B	Revision BAB	Previous page XX
Date 5-3-2010_16:24	Filename INTERFACE	Page / of XX / XX

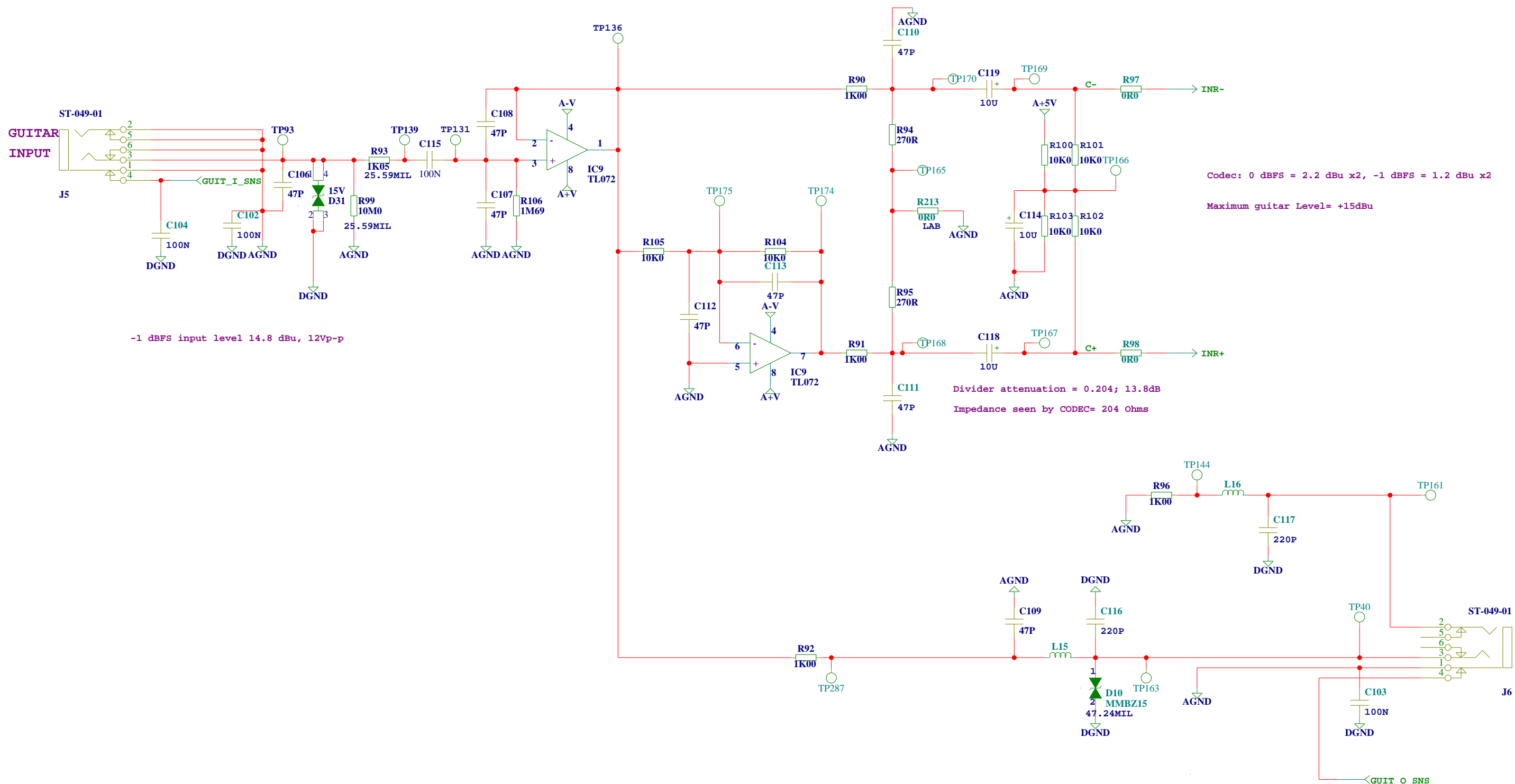


Codec: 0 dBFS = 2.2 dBu x2, -1 dBFS = 1.2 dBu x2

Divider attenuation = 0.204; 13.8dB  
 Impedance seen by CODEC= 204 Ohms

<b>TC Electronic A/S</b>		Designer DKH
Title Q400		Module title MAINBOARD
Number P22622-B	Revision BAB	Previous page XX
Date 5-3-2010 16:24	Filename G_MIC_INPUT	Page / of 1 / 1

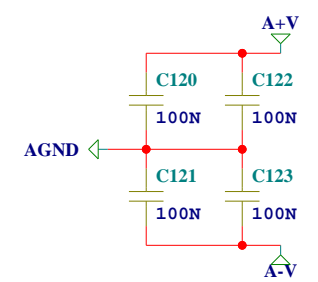
DECOUPLING FOR INPUT SECTION



-1 dBFS input level 14.8 dBu, 12Vp-p

Codec: 0 dBFS = 2.2 dBu x2, -1 dBFS = 1.2 dBu x2  
 Maximum guitar Level= +15dBu

Divider attenuation = 0.204; 13.8dB  
 Impedance seen by CODEC= 204 Ohms



<b>TC Electronic A/S</b>		Designer DKH
Title Q400	Module title MAINBOARD	
Number P22622-B	Revision BAB	Previous page XX
Date 5-3-2010_16:24	Filename GUITAR_INPUT	Page / of 1 / 1