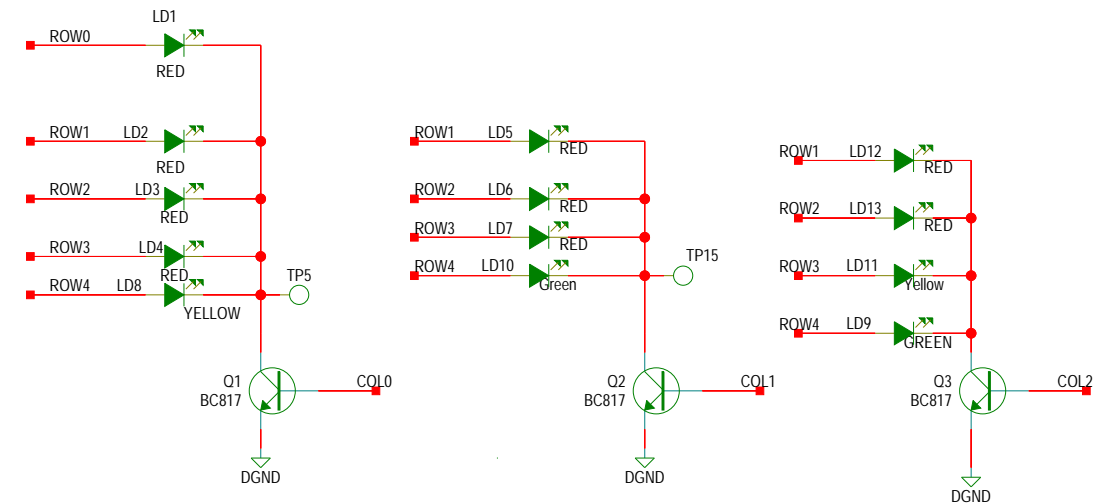
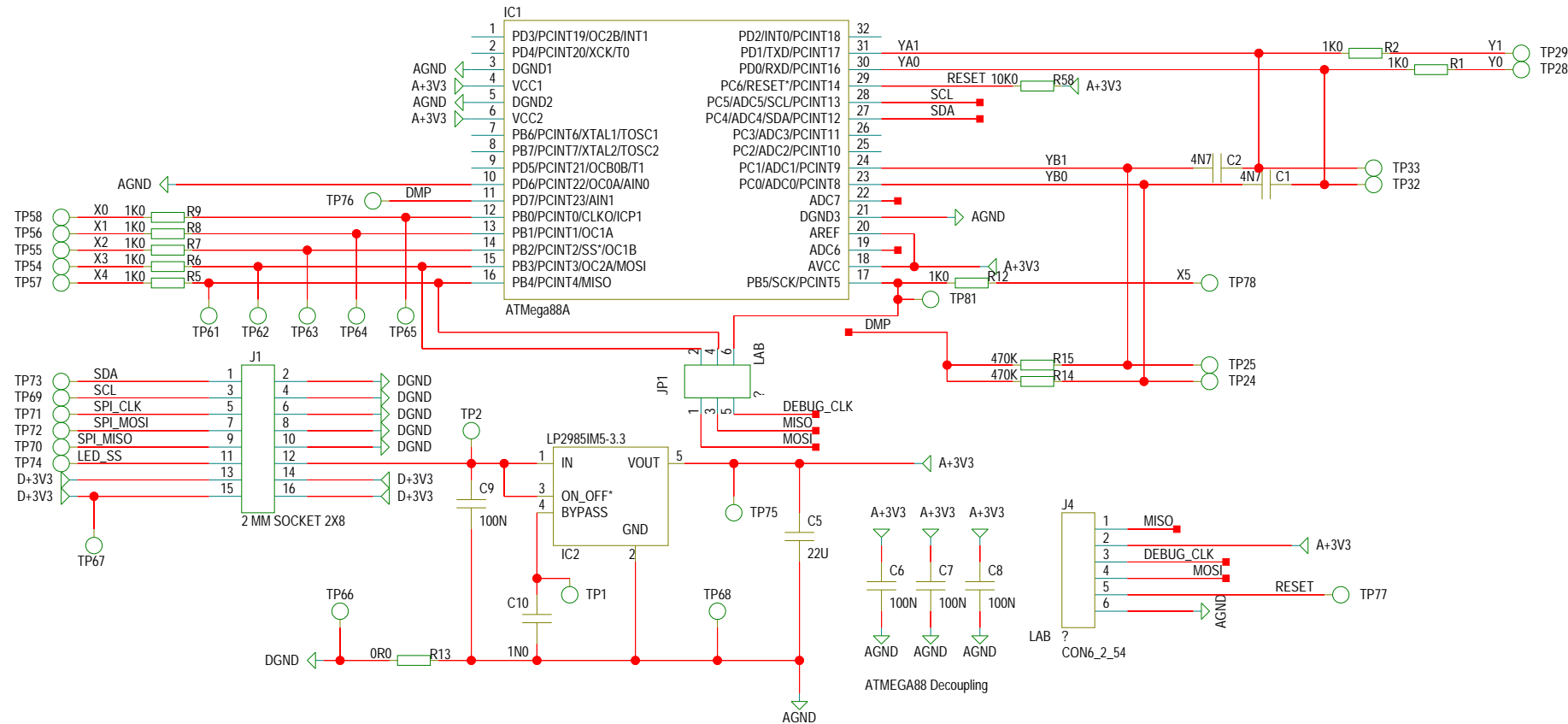


RESISTORS AND CAPS ASSOCIATED WITH X AND Y NETS MUST BE PLACED VERY CLOSE TO MICROCONTROLLER



M1  
P22673-C

tc electronic a/s				Designer(s) RH
Title BAFFIN				Module title MODULE TITLE
Number P22673	Revision C	Variant A	Version A	Board type TOUCH PANEL
Date 04-03-2013_17:26	Filename p22673-C		Page / of 1 / 1	