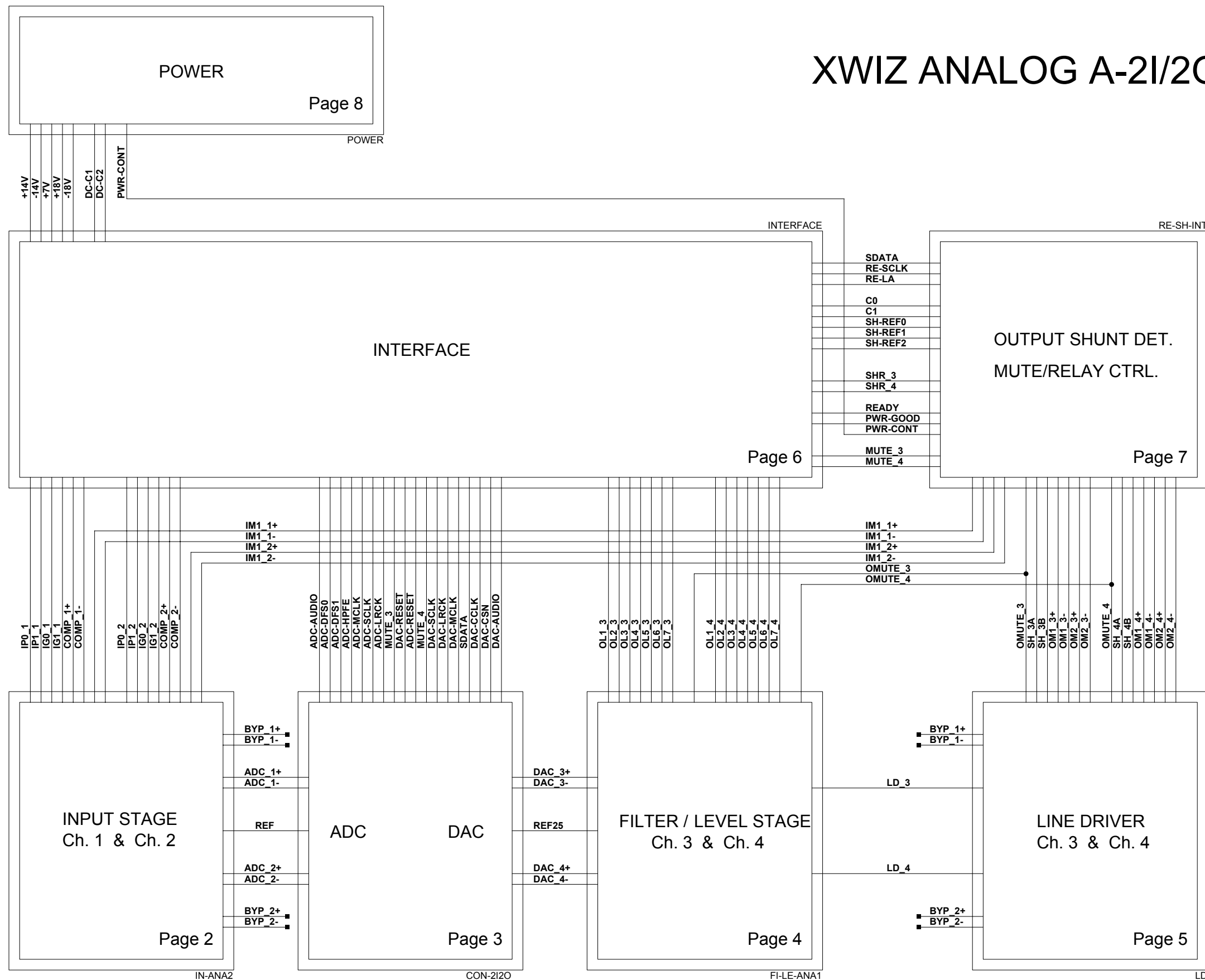
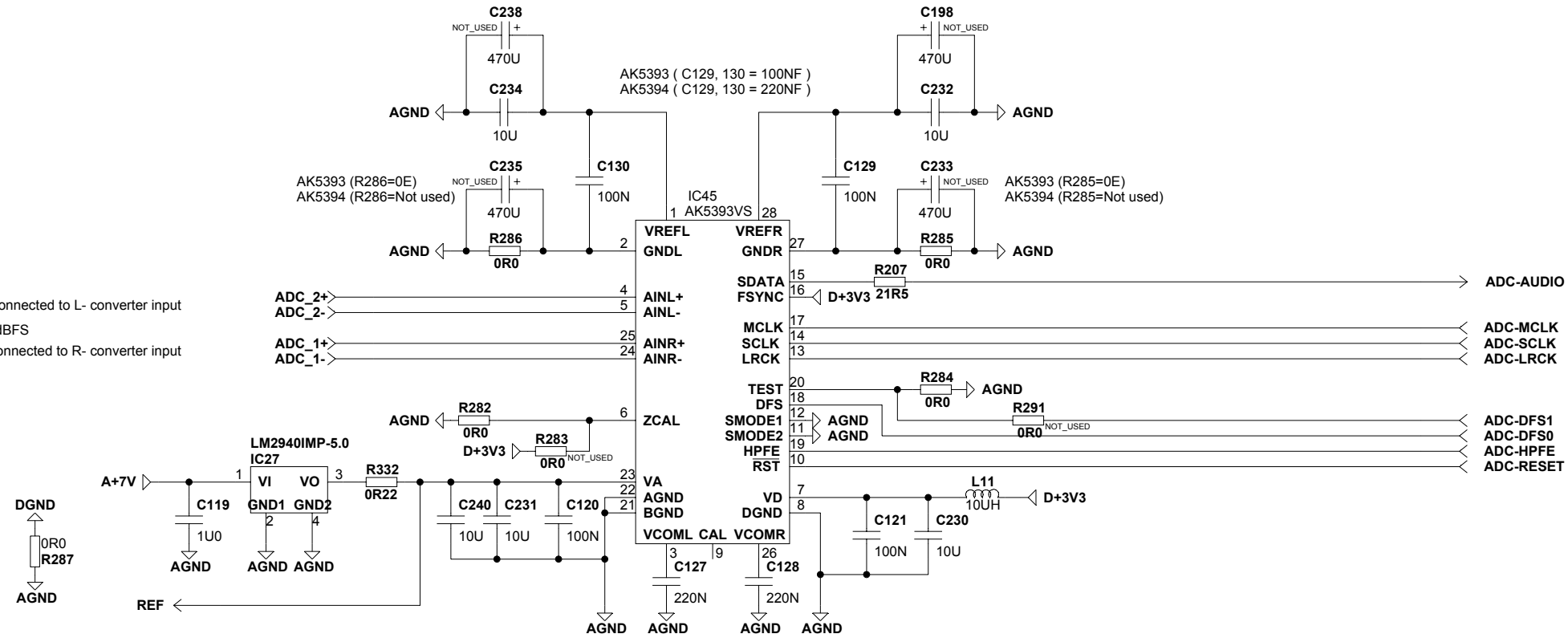


XWIZ ANALOG A-2I/2O

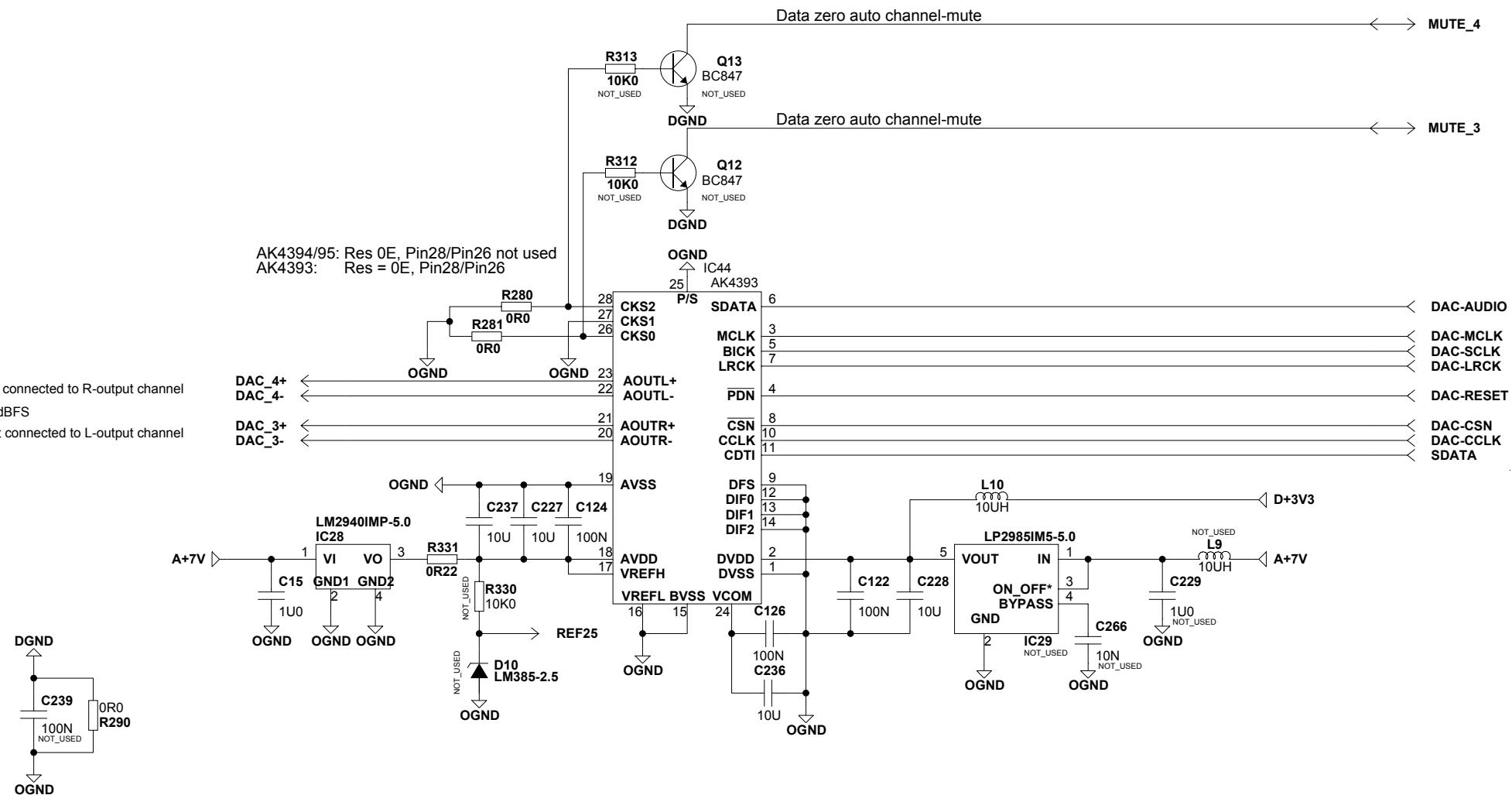


Title		Module title		Designer	
XWIZ		ANALOG A-2I/2O		SAK	
Number	Revision	Previous page			
P30201	DAC	0			
Date	Filename	Page / of			
10-13-2003 13:12	P30201-DAC	1 / 7			

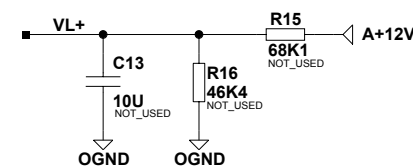
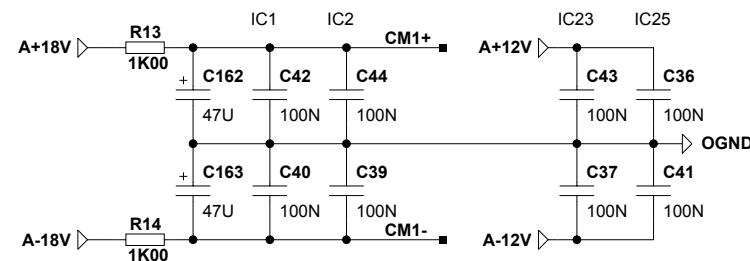
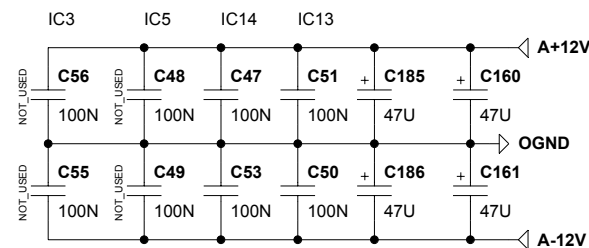
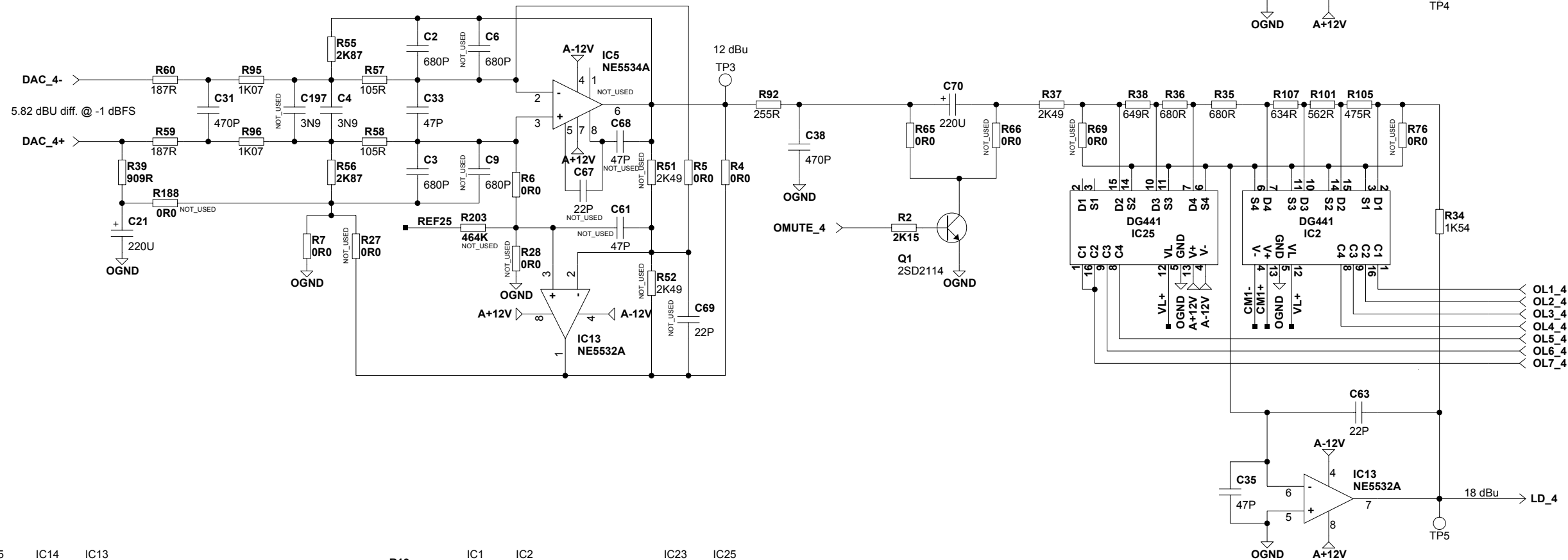
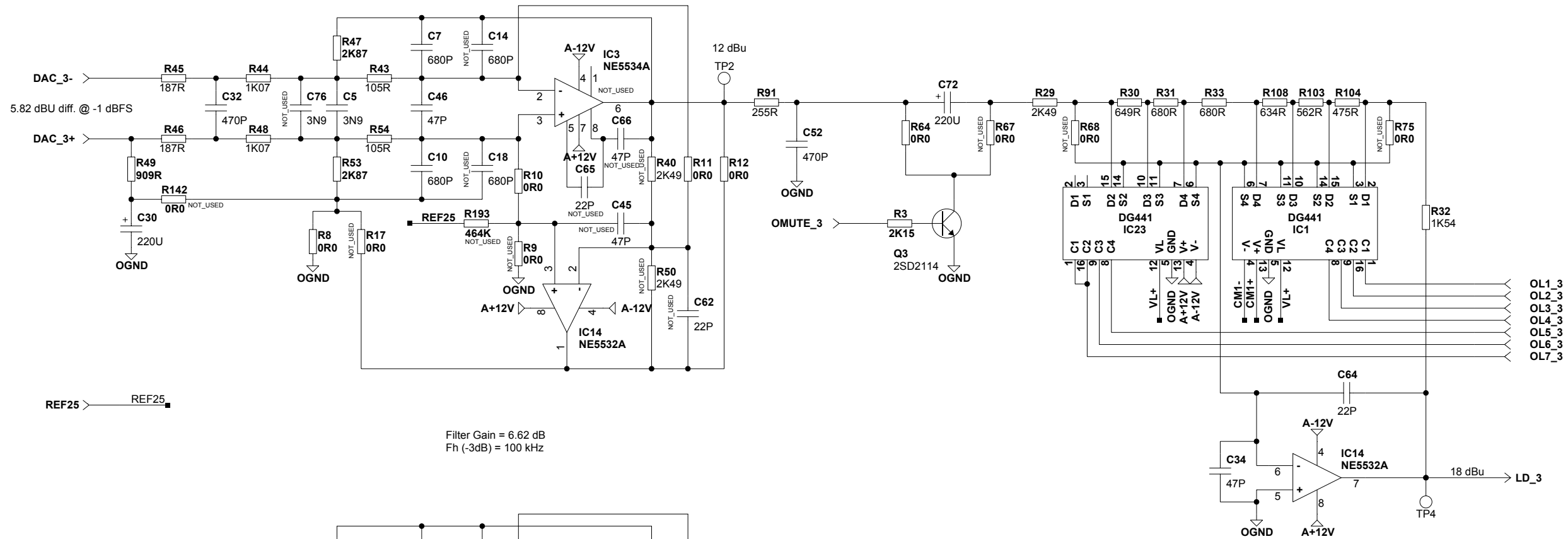
Note: R- input channel connected to L- converter input
7.16 dBu diff.@ 0 dBFS
Note: L- input channel connected to R- converter input



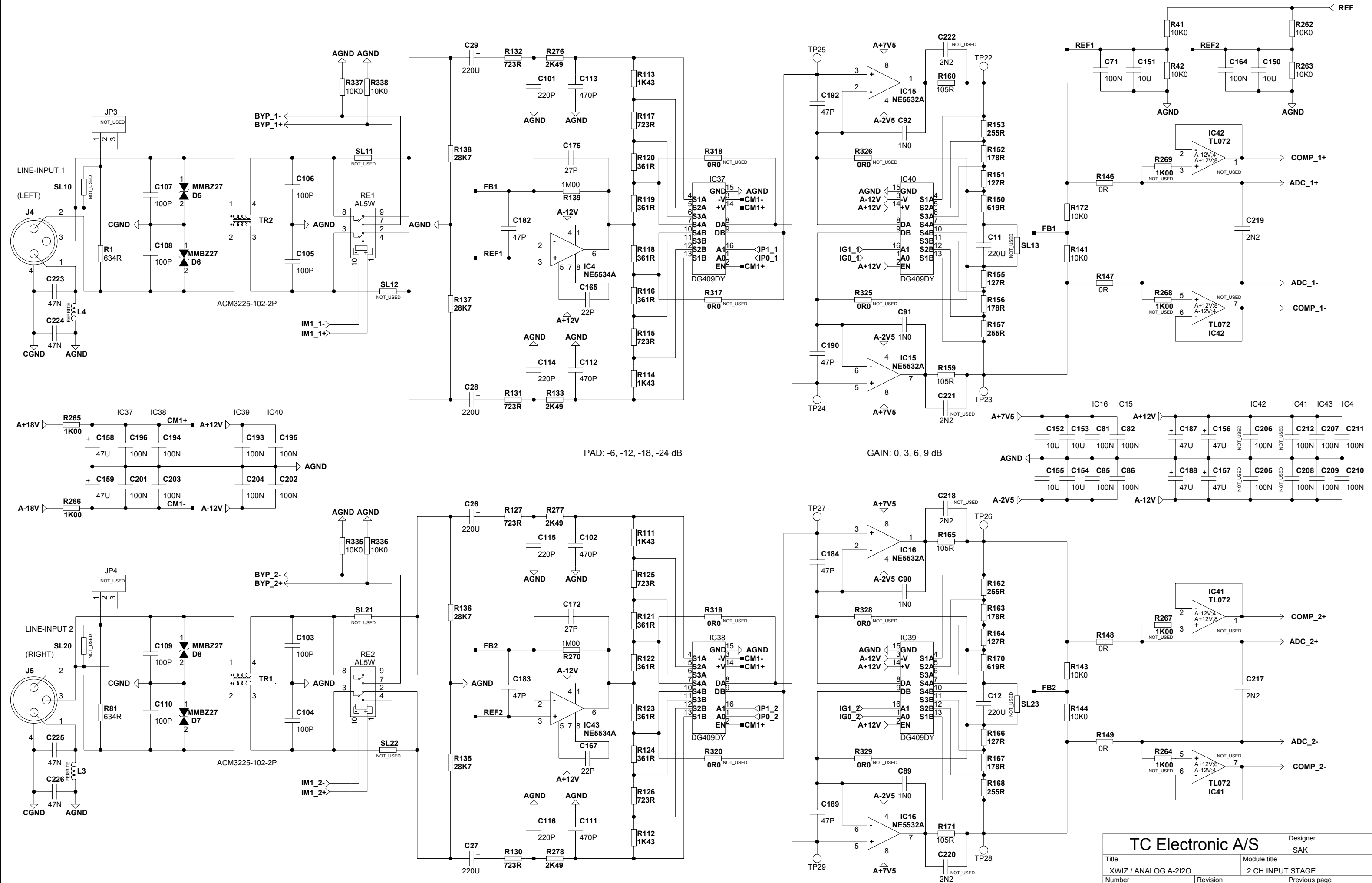
Note: L-converter output connected to R-output channel
6.82 dBu diff.@ 0 dBFS
Note: R-converter output connected to L-output channel



TC Electronic A/S		Designer SAK
Title XWIZ / ANALOG A-2I/2O	Module title 2 CH ADC/DAC-CONVERTER	
Number P30201	Revision DAC	Previous page 1
Date 10-13-2003 13:11	Filename CON-2I2O	Page / of 3 / 7



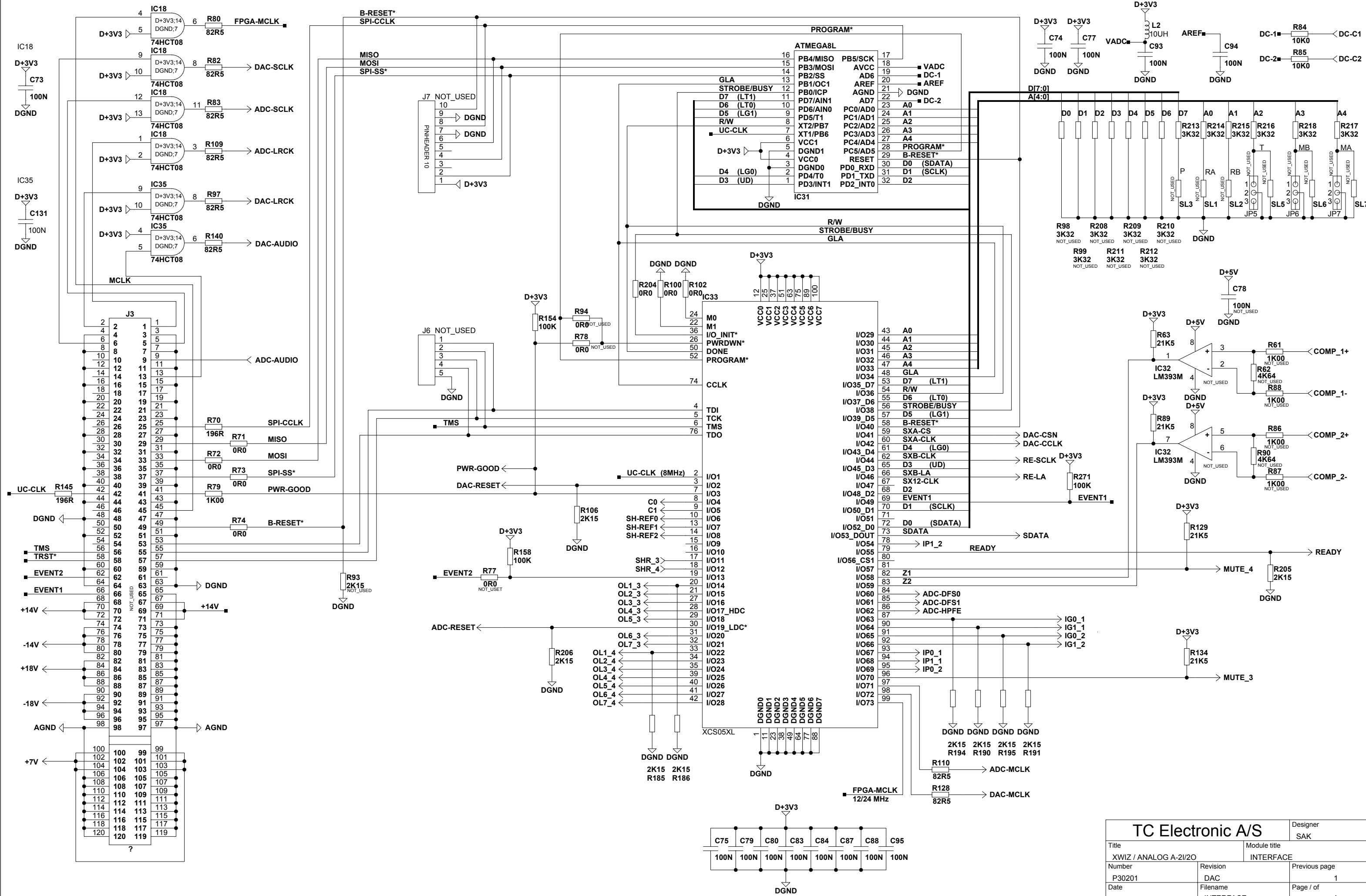
TC Electronic A/S		Designer SAK
Title XWIZ / ANALOG A-2I/2O		Module title 2 CH FILTER/LEVEL STAGE
Number P30201	Revision DAC	Previous page 1
Date 10-13-2003 13:11	Filename FI-LE-ANA1	Page / of 4 / 7



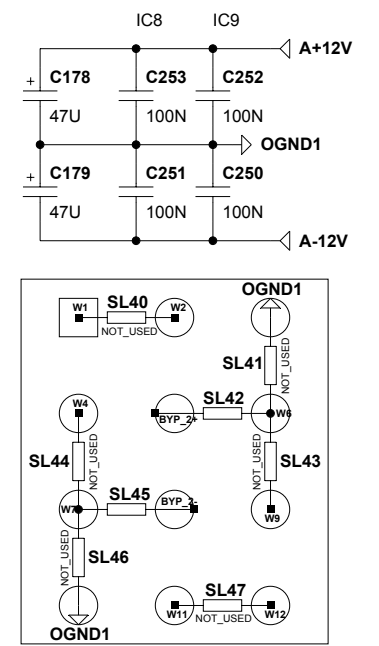
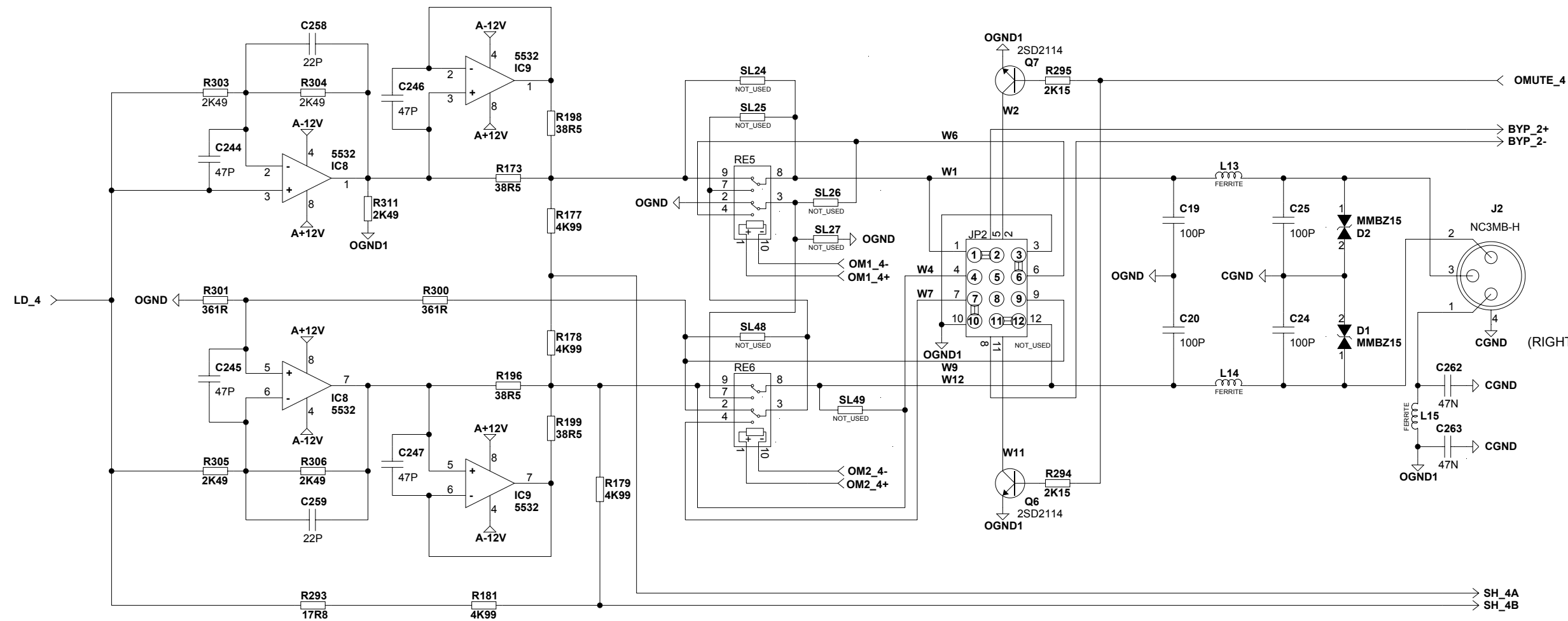
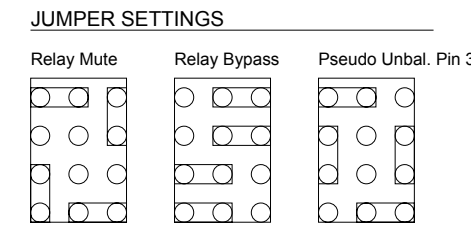
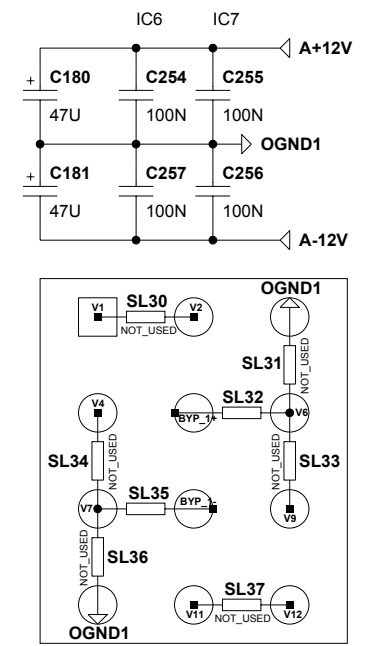
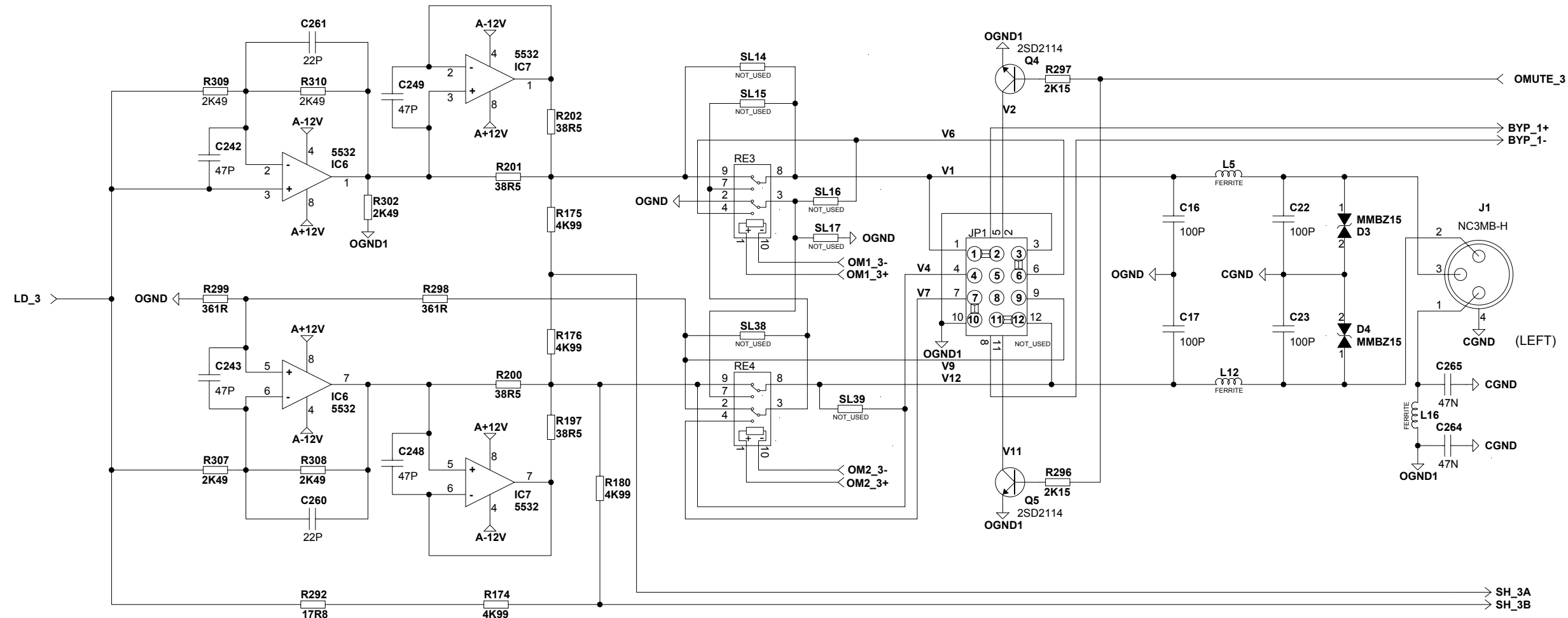
PAD: -6, -12, -18, -24 dB

GAIN: 0, 3, 6, 9 dB

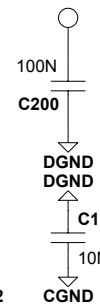
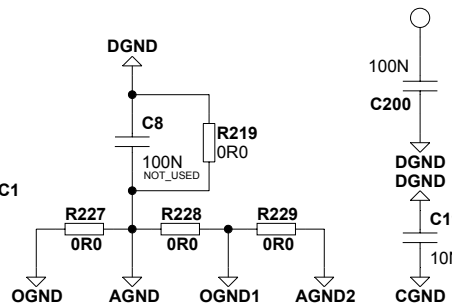
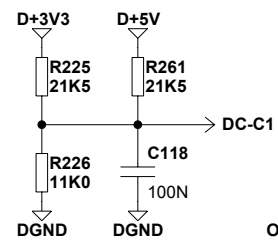
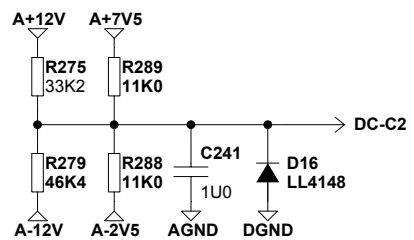
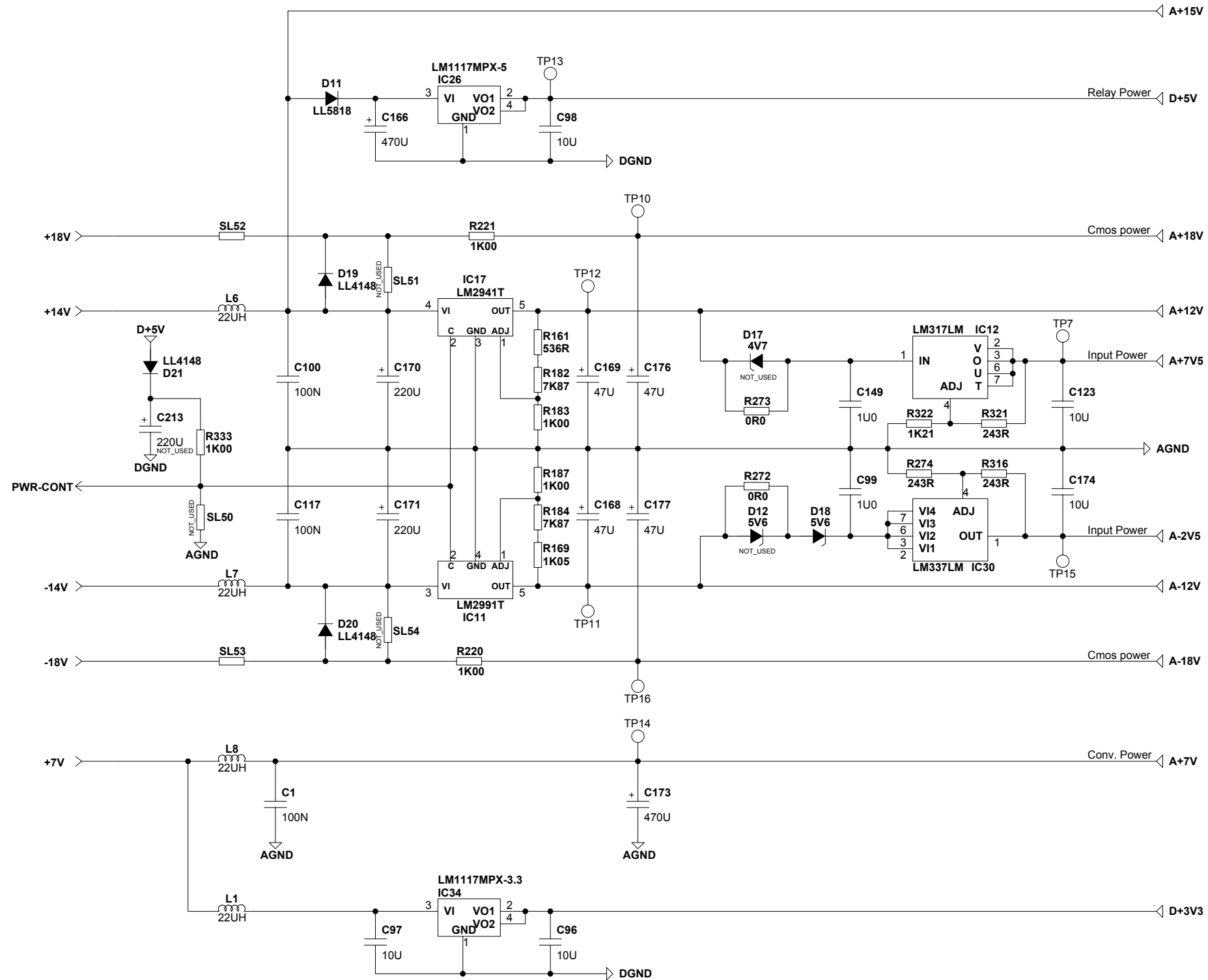
TC Electronic A/S		Designer SAK
Title XWIZ / ANALOG A-2I2O	Module title 2 CH INPUT STAGE	
Number P30201	Revision DAC	Previous page 1
Date 10-13-2003 13:11	Filename IN-ANA2	Page / of 2 / 7



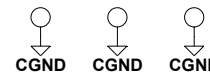
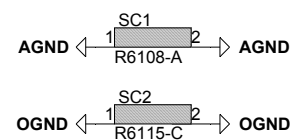
TC Electronic A/S		Designer SAK
Title XWIZ / ANALOG A-2I/2O	Module title INTERFACE	
Number P30201	Revision DAC	Previous page 1
Date 10-13-2003 13:09	Filename INTERFACE	Page / of 6 / 7



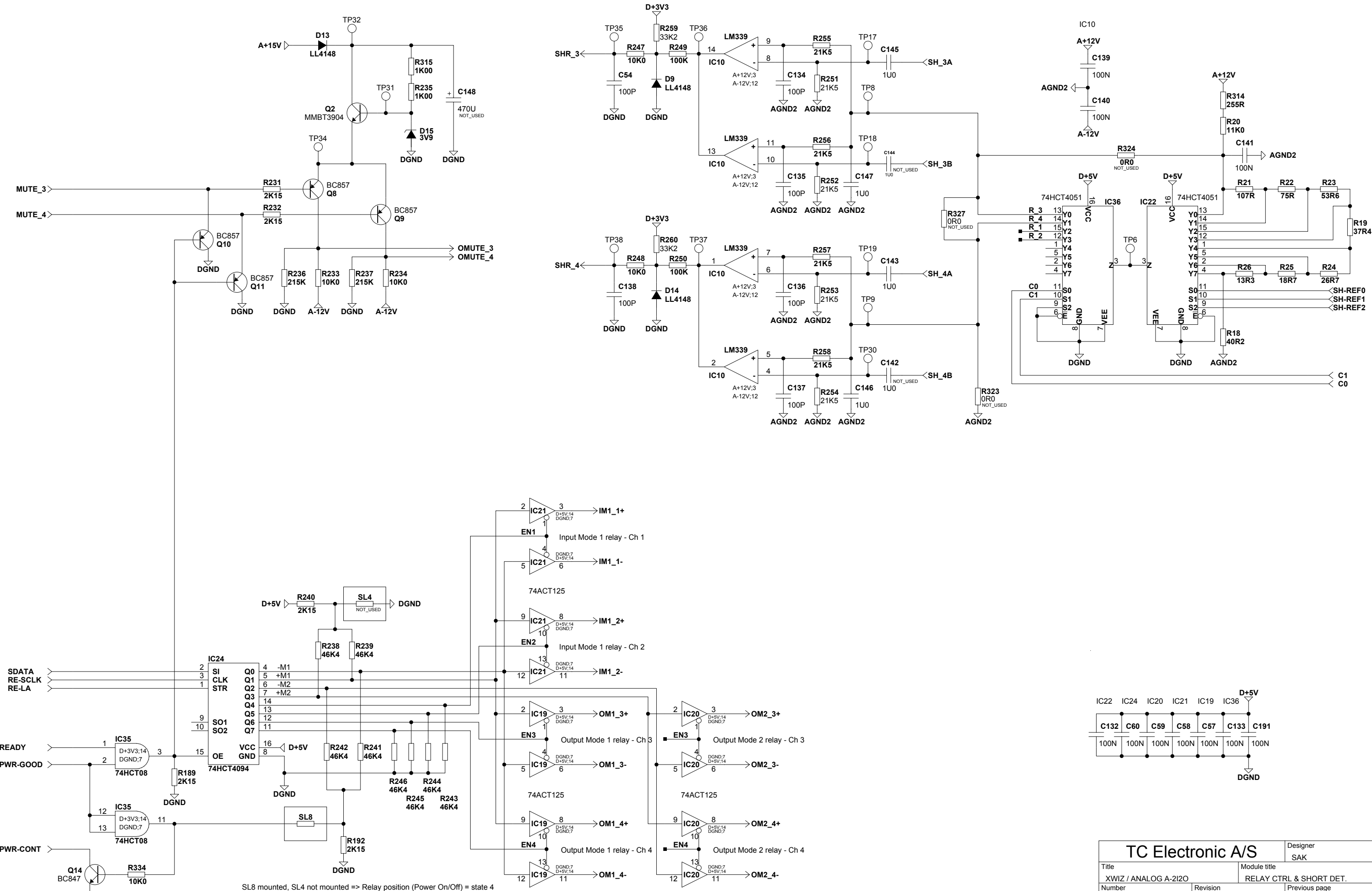
TC Electronic A/S		Designer
Title	Module title	SAK
XWIZ / ANALOG A-2I/2O	2 CH LINE DRIVER	
Number	Revision	Previous page
P30201	DAC	1
Date	Filename	Page / of
10-13-2003 13:12	LD	5 / 7



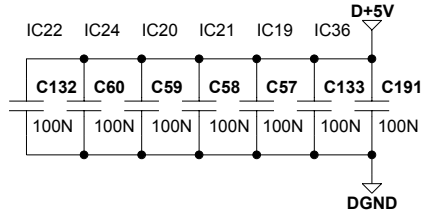
Input and Output Metal Screen



TC Electronic A/S		Designer
Title: XWIZ / ANALOG A-2I/2O		SAK
Module title: POWER		
Number: P30201	Revision: DAC	Previous page: 1
Date: 10-13-2003 13:10	Filename: POWER	Page / of: 8 / 8



SL8 mounted, SL4 not mounted => Relay position (Power On/Off) = state 4
SL8 not mounted, SL4 mounted => Relay position (Power On/Off) = last state



TC Electronic A/S		Designer SAK
Title XWIZ / ANALOG A-2I2O		Module title RELAY CTRL & SHORT DET.
Number P30201	Revision DAC	Previous page 1
Date 10-13-2003 13:09	Filename RE-SH-INT	Page / of 7 / 8