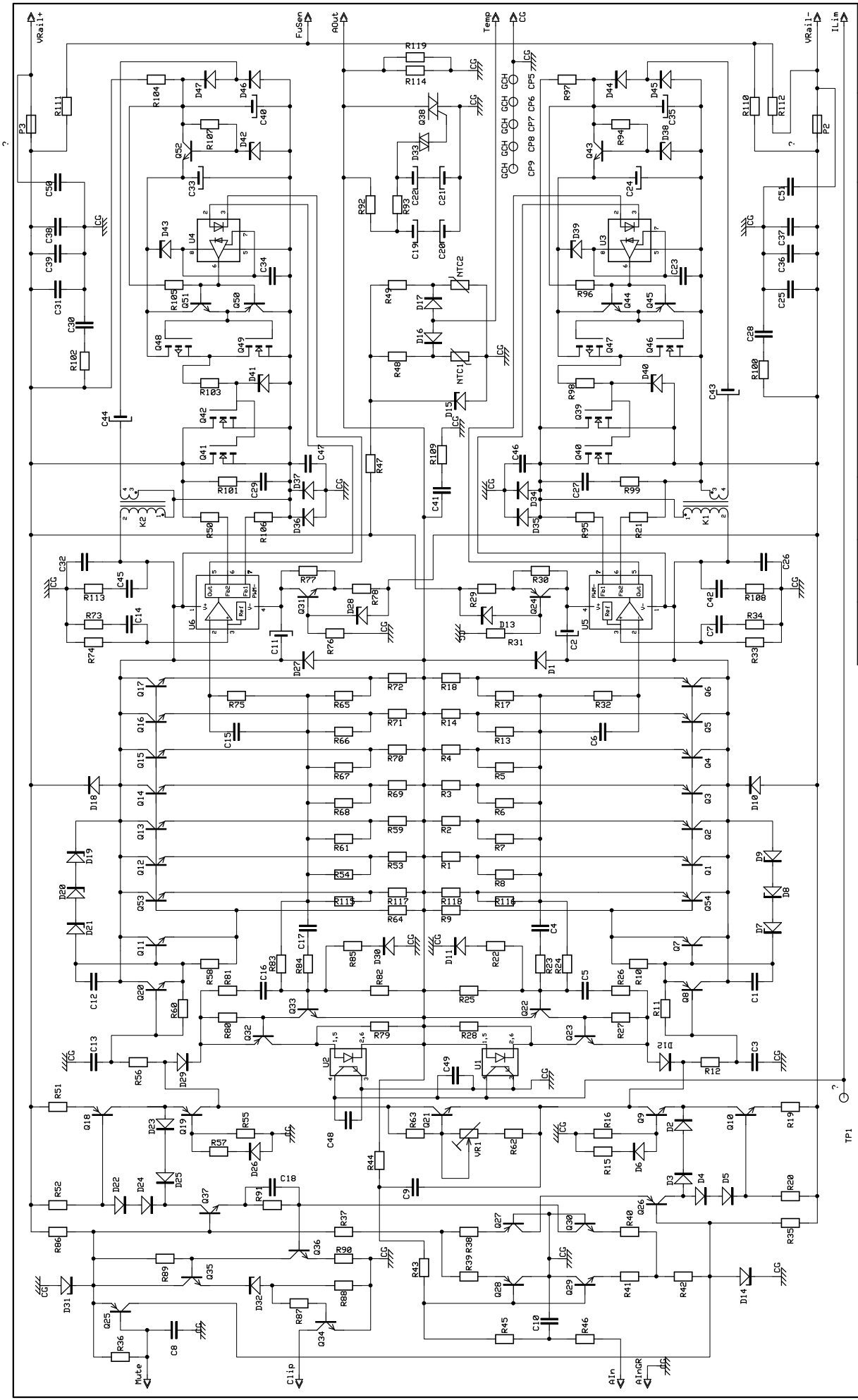


DESIGN KA	DRAWN	CHECKED	A70TD	REPLACES 080930	REPLACED BY
LABGRUPPEN KUNGSBACKA SWEDEN				Amplifier 5kW class TD	DATE 081118



DESIGN	DRAWN	CHECKED	REPLACES	REPLACED BY
KA	KA		A70TD	A70TD
LABGRUPPEN			080930	ANMAG
KUNGSBACKA SWEDEN			DATE	PAGE
			081118	
			DRAWING NO	A70TD05

Amplifier 5kW class TD