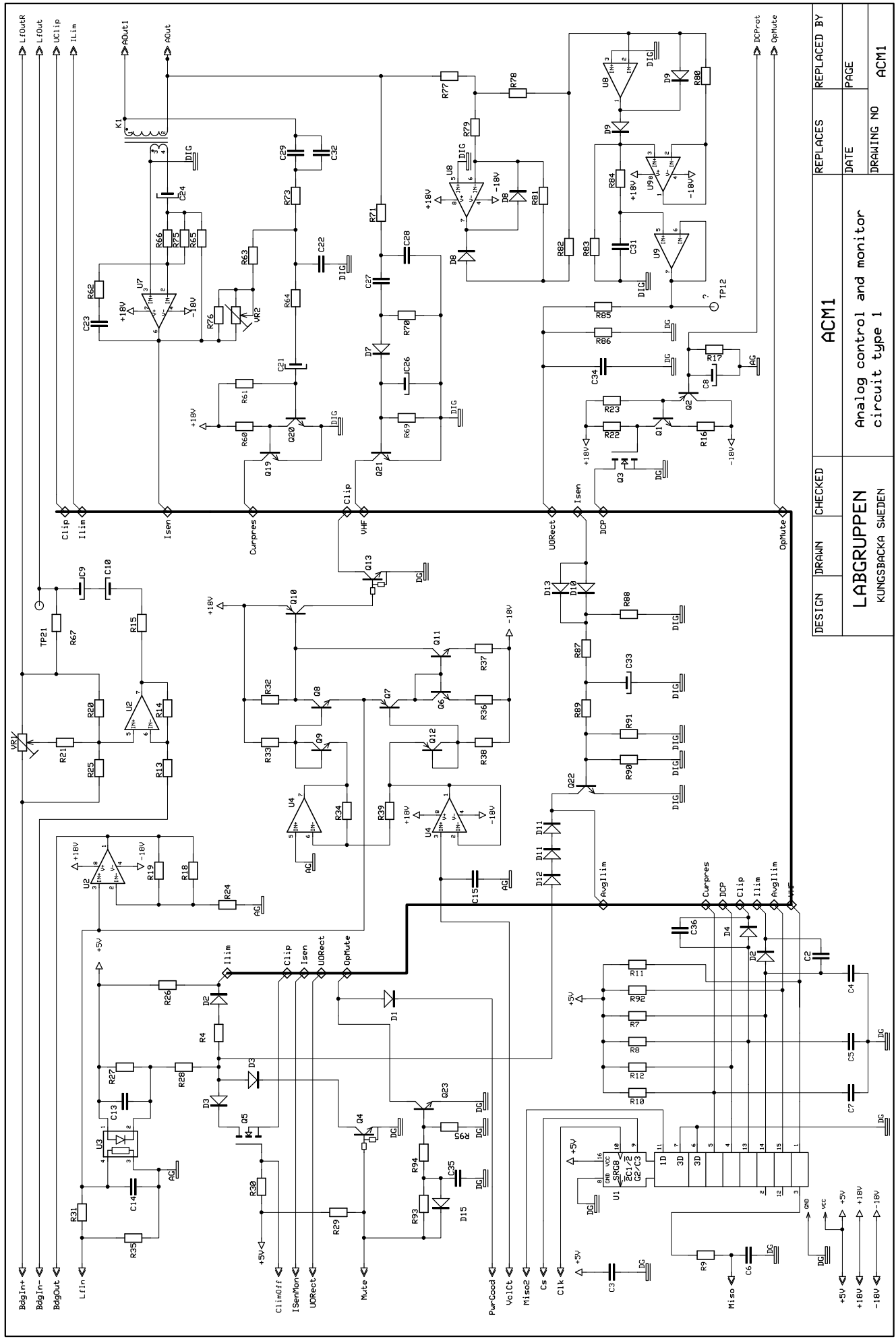
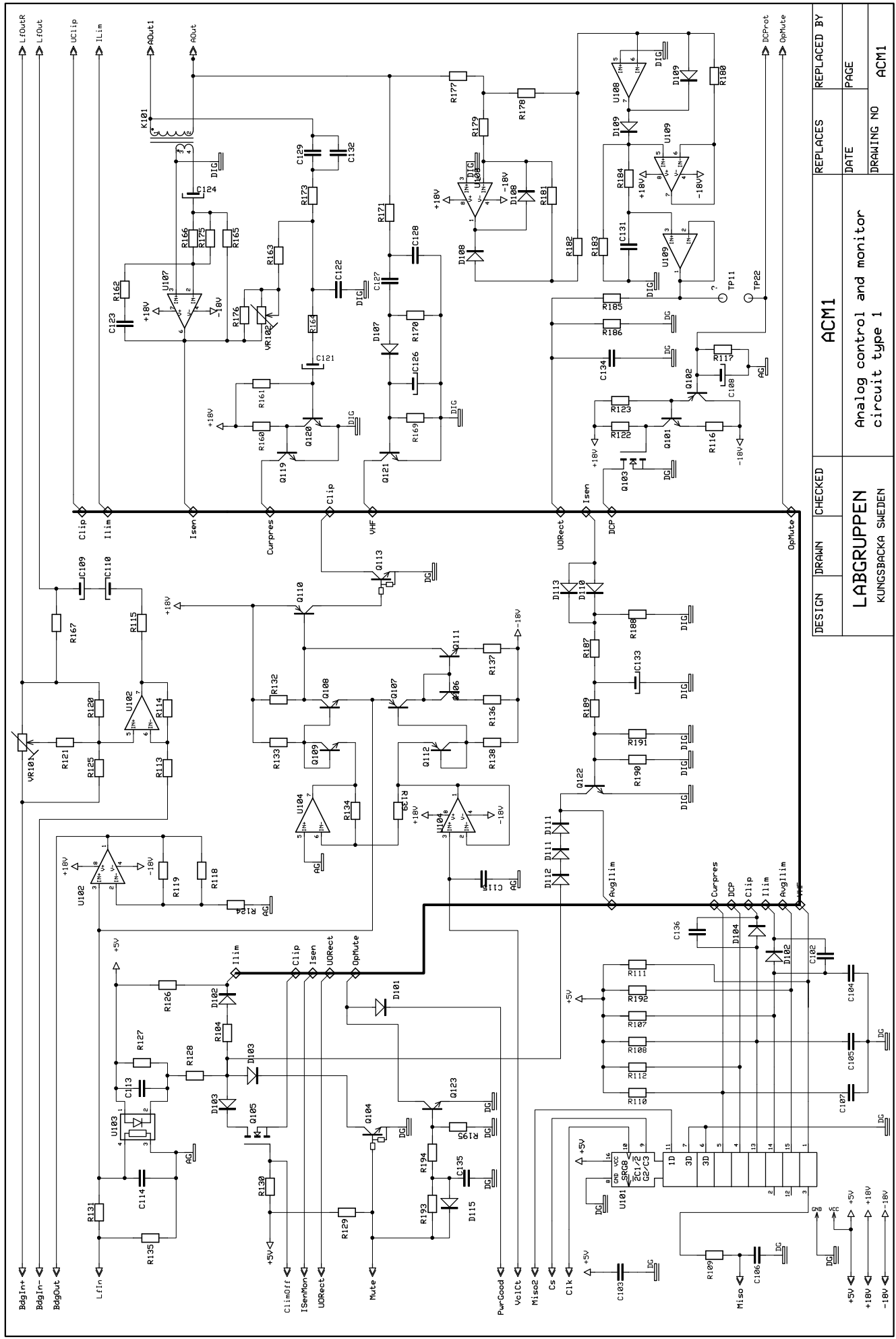


DESIGN	BRANN	CHECKED	<b>AIC02</b>	REPLACES BY
KA	KA/AM			061102
<b>LABGRUPPEN</b>				DATE
KUNGSBACKA SWEDEN				081030
Analog Input, Control and Output				PAGE
2 channels				AIC0206

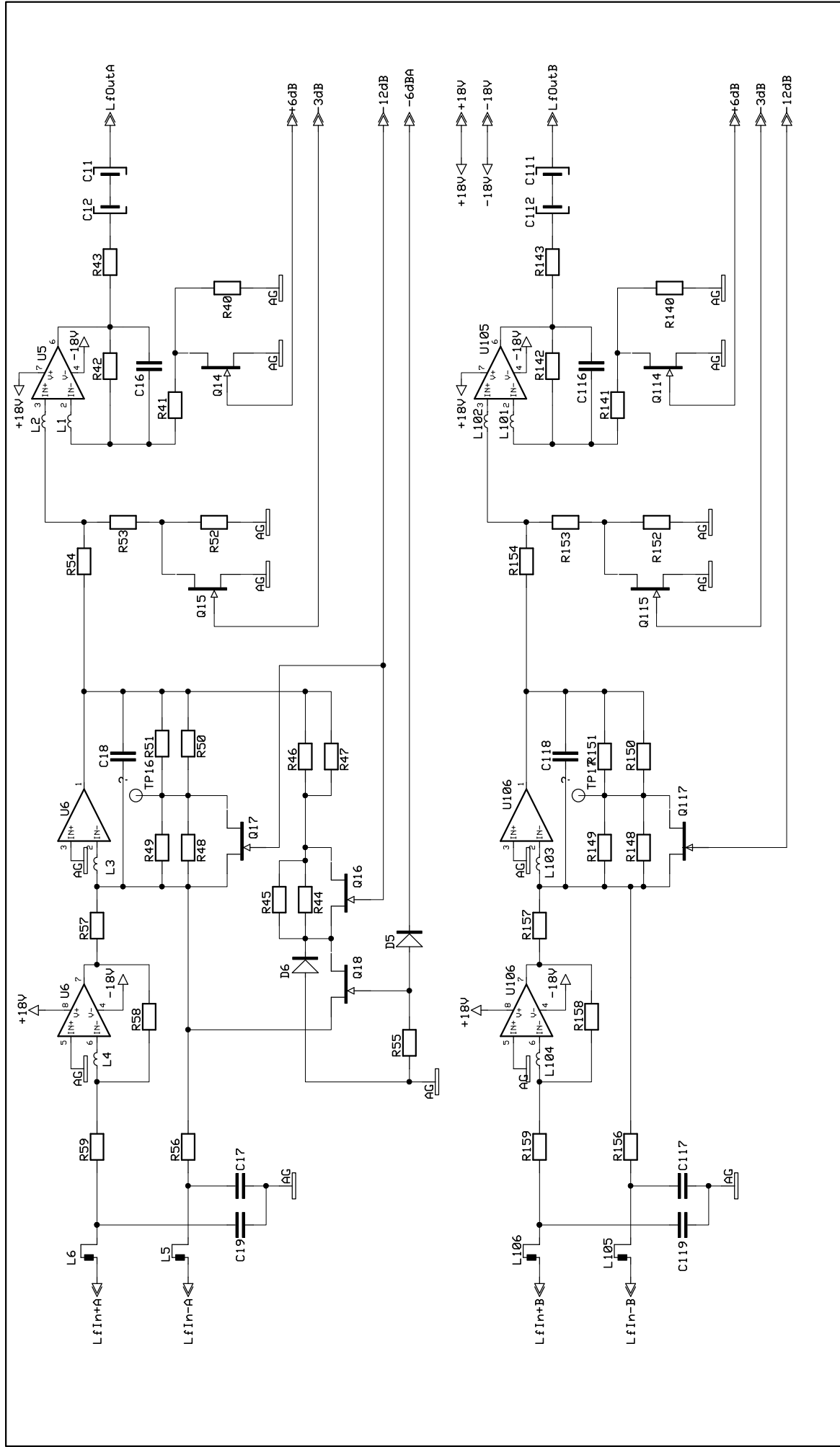




DESIGN	DRAWN	CHECKED	REPLACES	REPLACED BY
			ACM1	ACM1
LABGRUPPEN			DATE	PAGE
KUNGSBACKA SWEDEN			DRAWING NO	ACM1
Analog control and monitor circuit type 1				

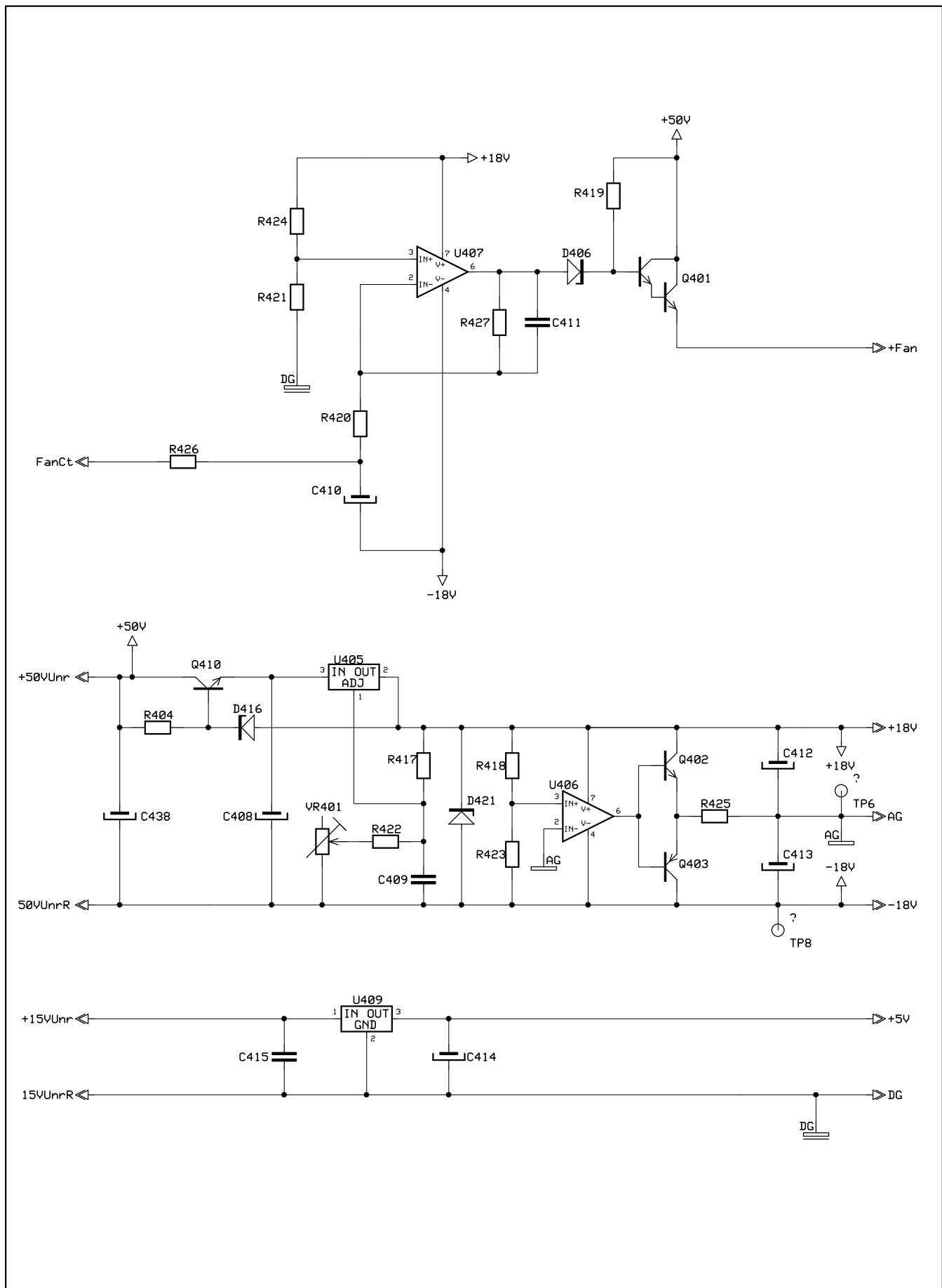


DESIGN	DRAWN	CHECKED	REPLACES	REPLACED BY
			ACM1	ACM1
LABGRUPPEN KUNGSBACKA SWEDEN			DATE	PAGE
Analog control and monitor circuit type 1			DRAWING NO	ACM1

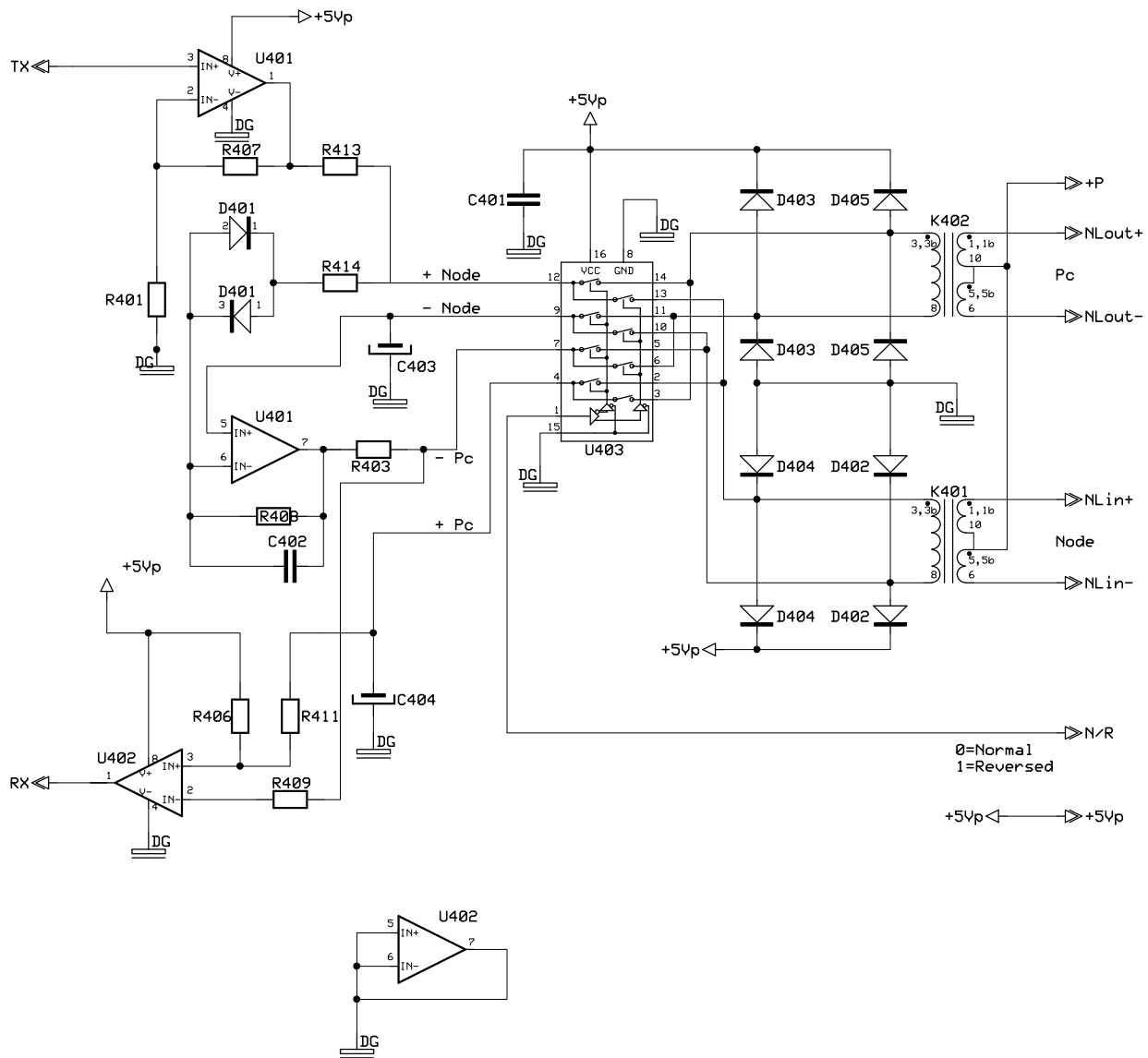


DESIGN KA	DRAWN	CHECKED	REPLACES	REPLACED BY
LABGRUPPEN KUNGSBACKA SWEDEN			AIG2B	
			DATE	PAGE
			DRAWING NO	AIG2B

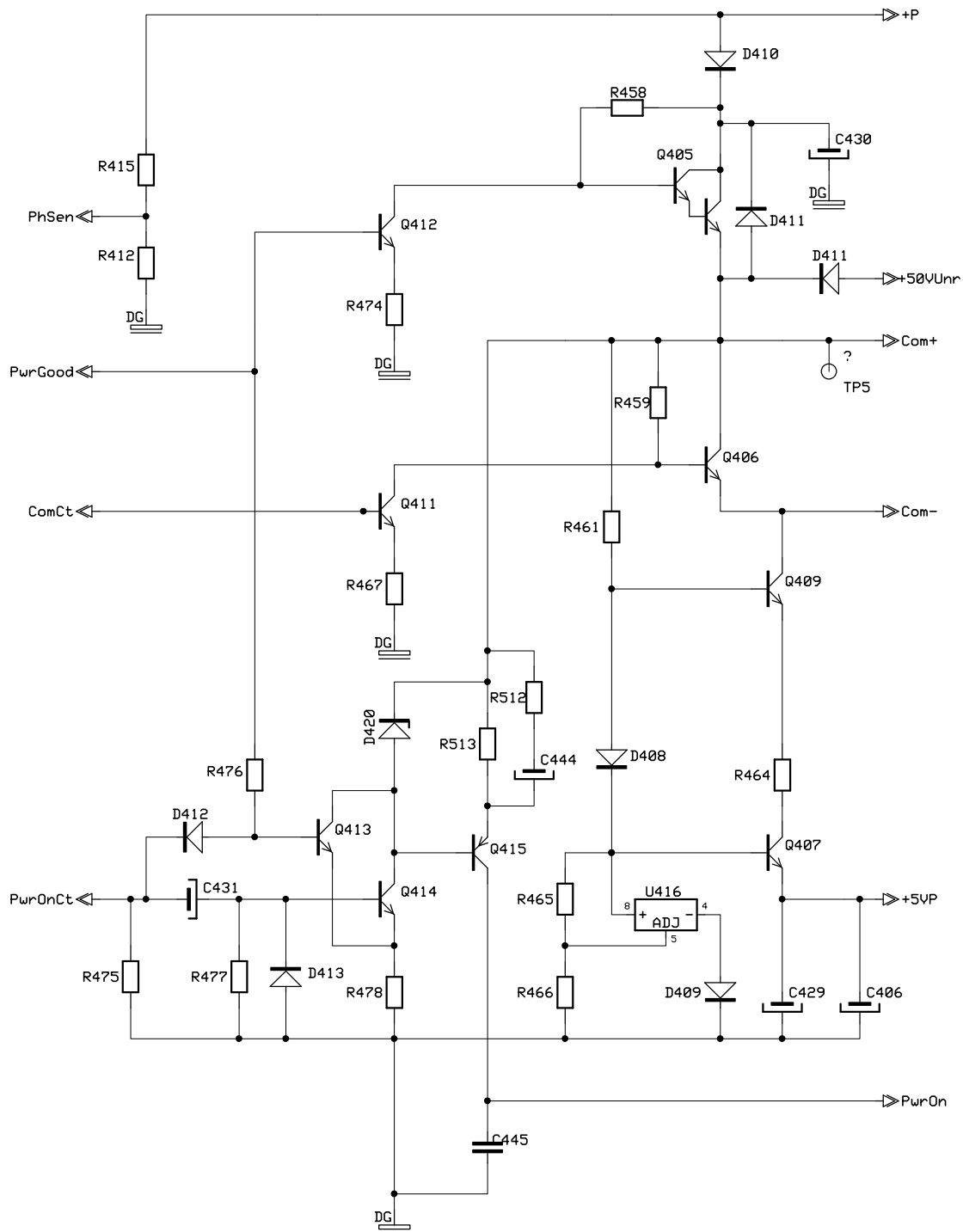
Analogue Input, Gain switch  
2-channel type B



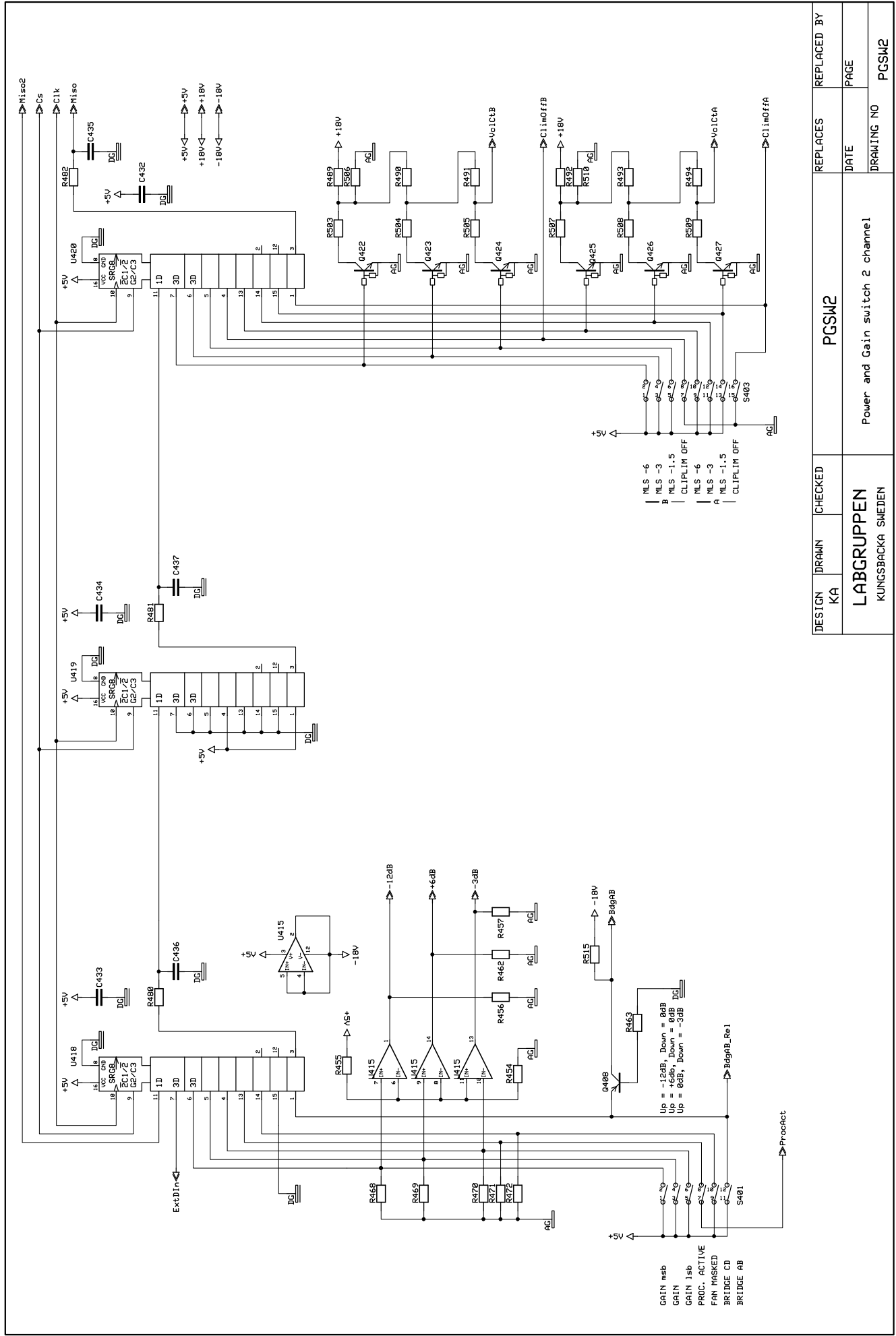
DESIGN KA	DRAWN	CHECKED	<b>LVPsC</b>	REPLACES	REPLACED BY
<b>LABGRUPPEN</b> KUNGSBACKA SWEDEN				Low voltage power supply type1	DATE



DESIGN	DRAWN	CHECKED	<b>NLIB</b>	REPLACES	REPLACED BY	
<b>LABGRUPPEN</b> KUNGSBACKA SWEDEN				Nomad link interface		DATE
						DRAWING NO



DESIGN KA	DRAWN	CHECKED	<b>NLIPs</b>	REPLACES	REPLACED BY	
<b>LABGRUPPEN</b> KUNGSBACKA SWEDEN				Nomad Link Interface Power Supply		DATE
						DRAWING NO

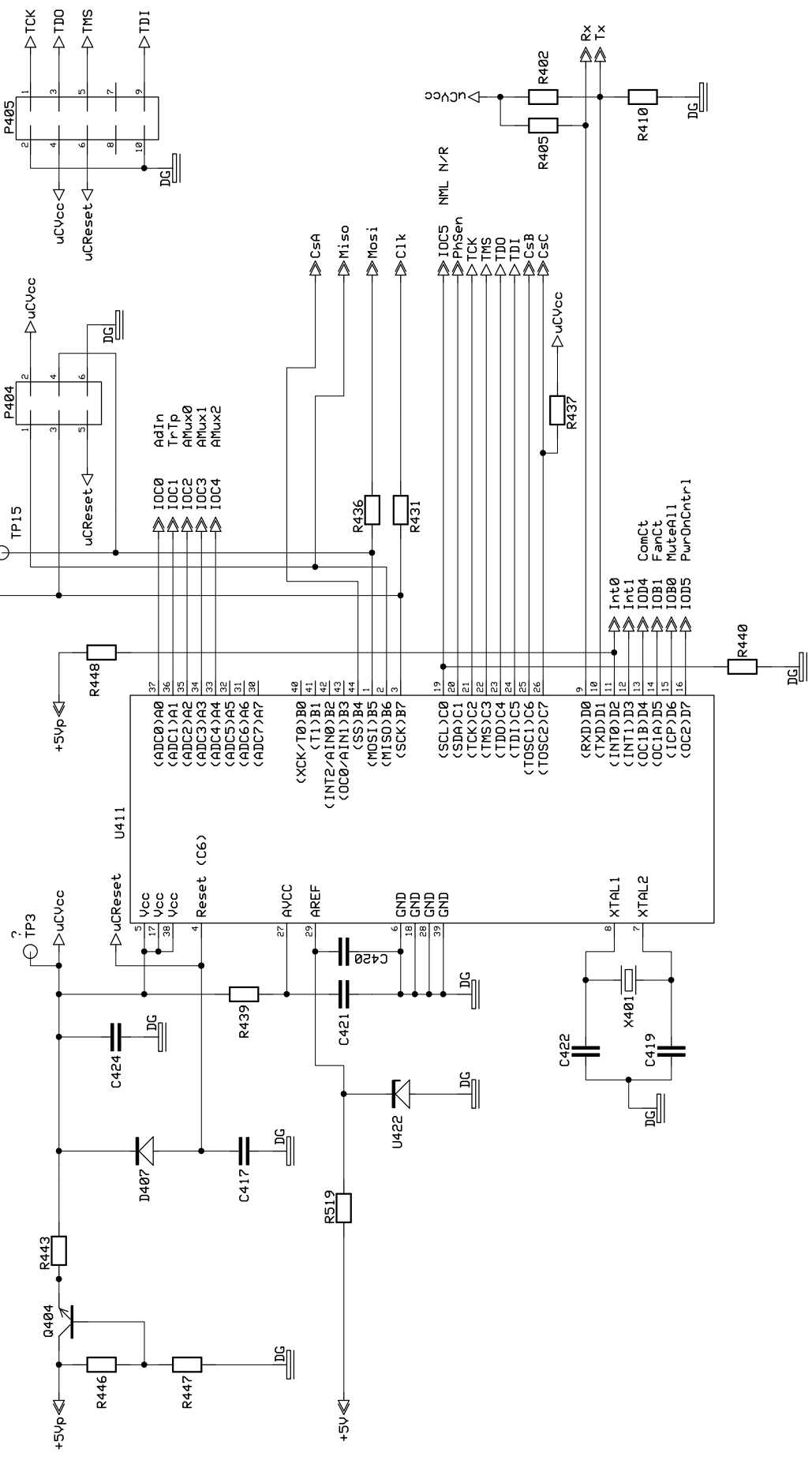


DESIGN KA	DRAWN	CHECKED	REPLACES	REPLACED BY
LABGRUPPEN			PGSW2	
KUNGSBACKA SWEDEN			Power and Gain switch 2 channel	
			DATE	PAGE
			DRAWING NO	PGSW2



# JTAG Port

# ISP Port



DESIGN	DRAWN	CHECKED	REPLACES	REPLACED BY
LABGRUPPEN KUNGSBACKA SWEDEN			DATE	PAGE
Micro Processor unit typeB			DRAWING NO	UPcB