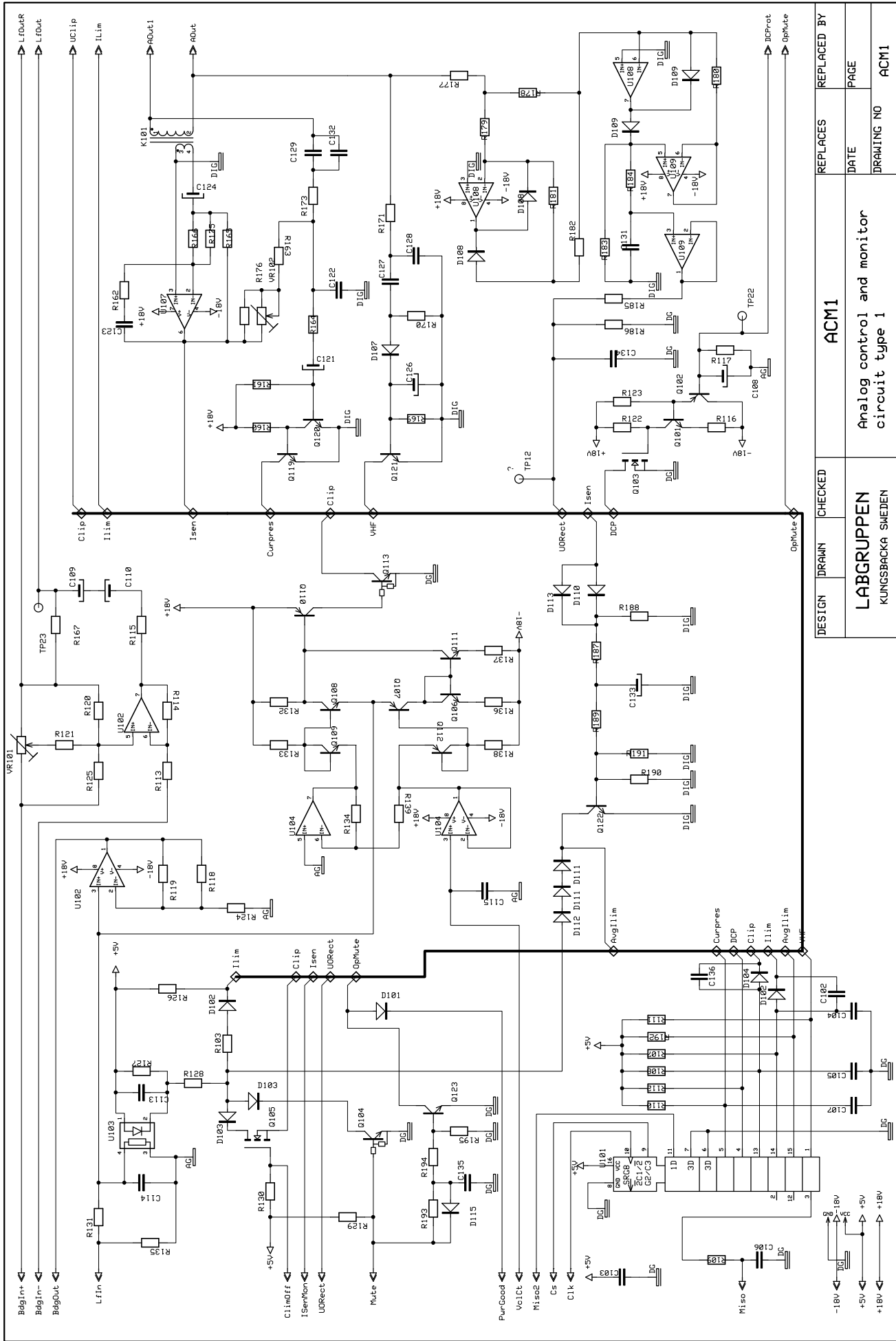
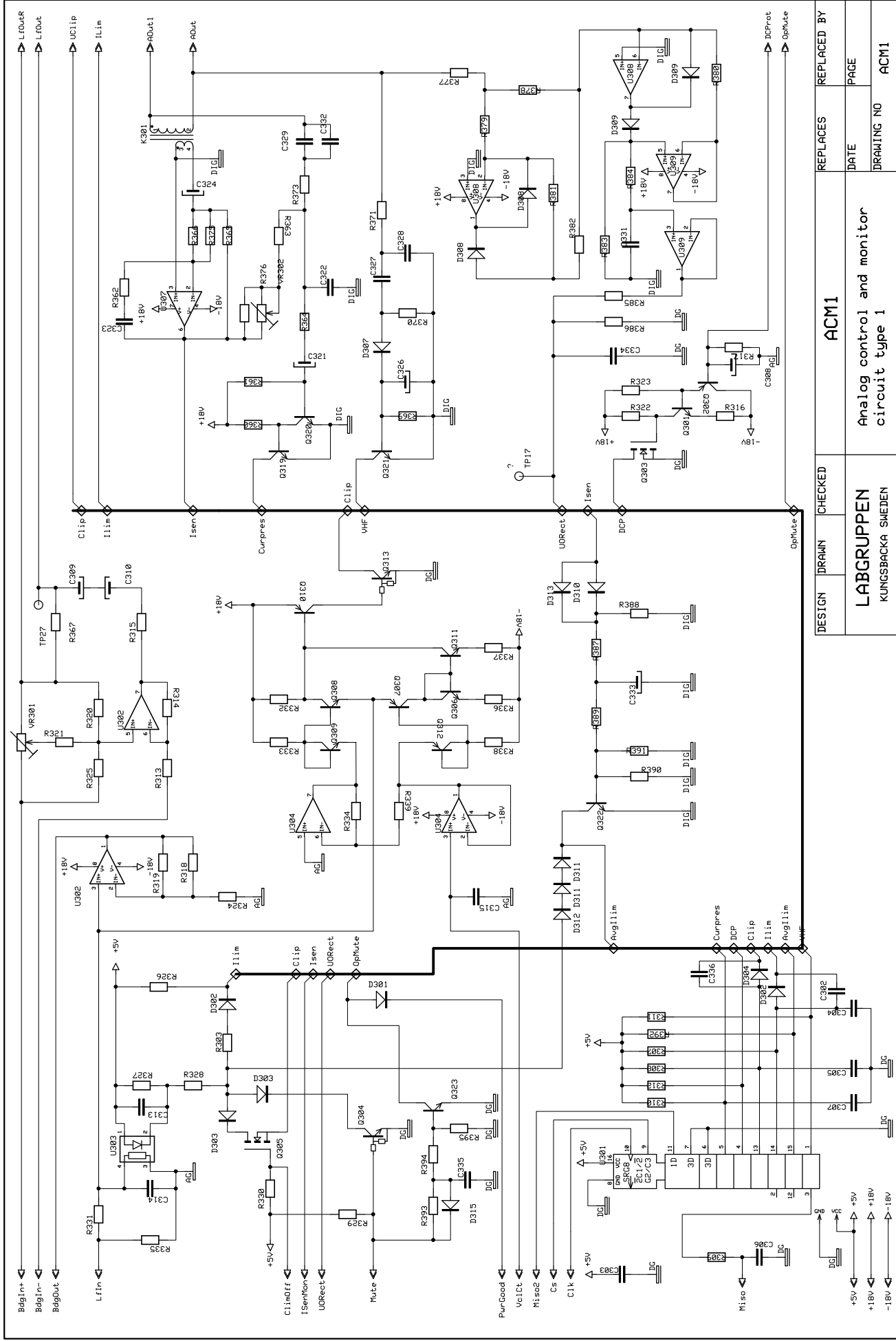


DESIGN	DRAWN	CHECKED	REPLACES	REPLACED BY
LABGRUPPEN KUNGSBACKA SWEDEN			ACM1	ACM1
			DATE	PAGE
			DRAWING NO	ACM1

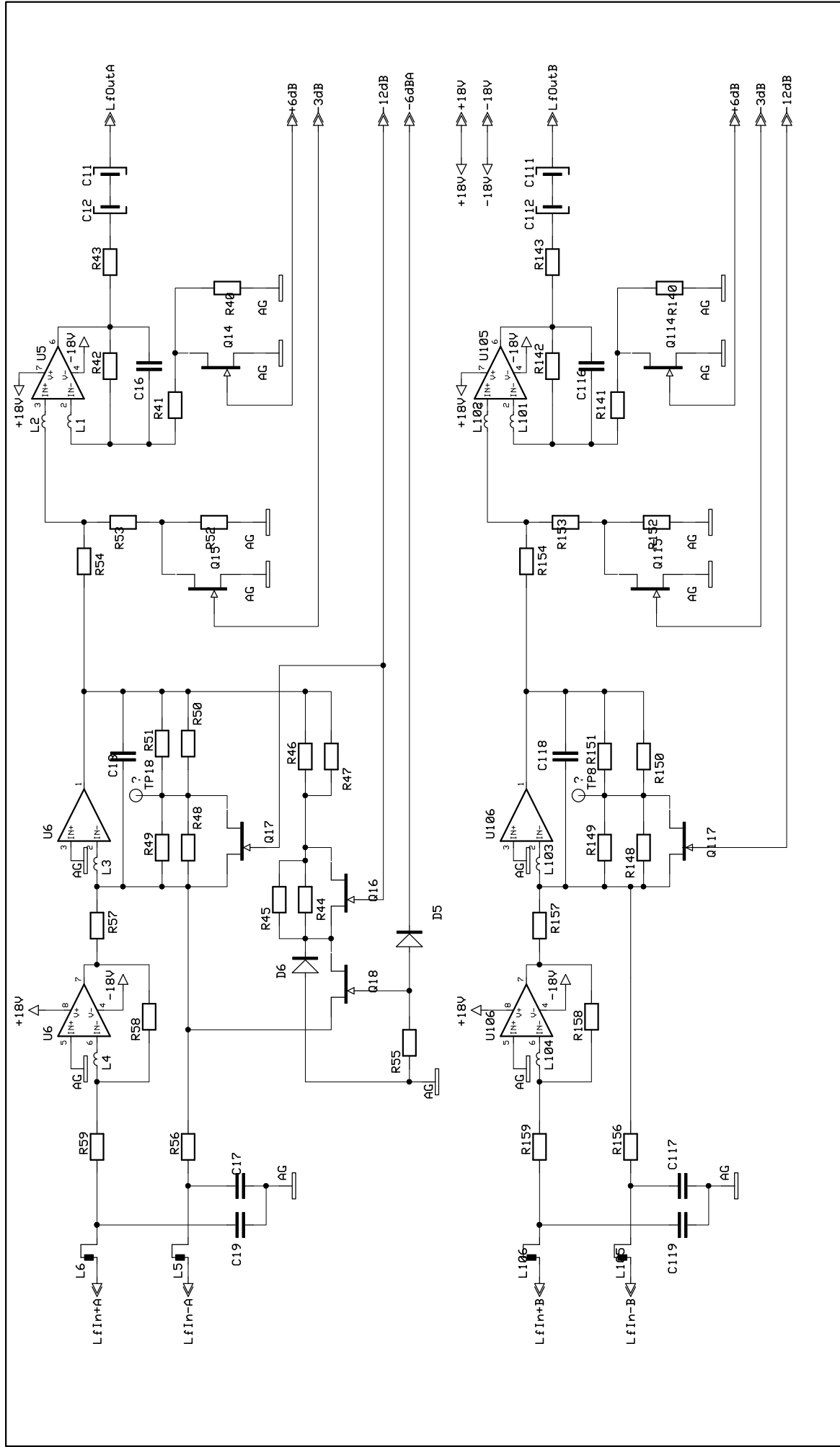
ACM1
Analog control and monitor
circuit type 1



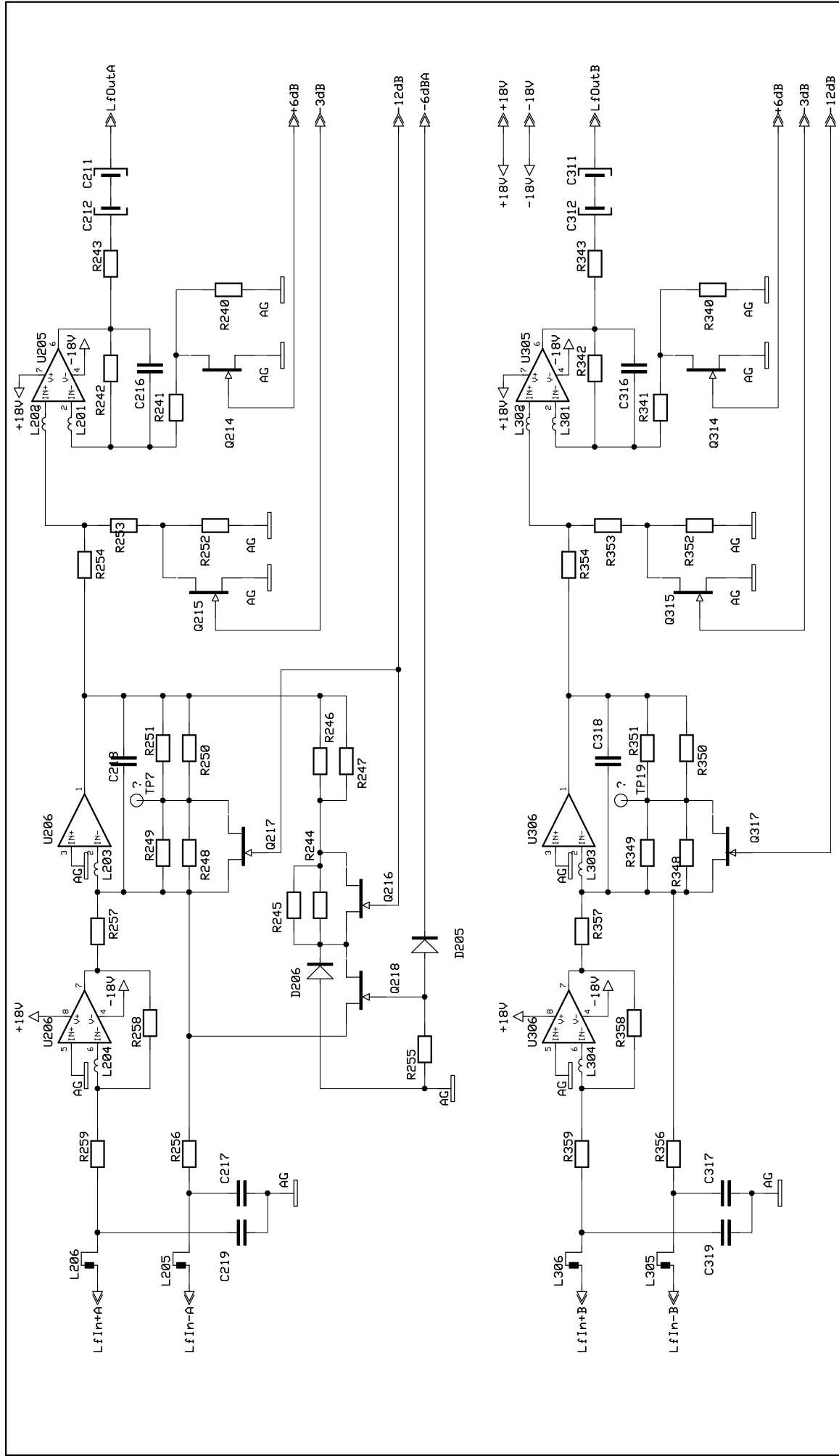
DESIGN	DRAWN	CHECKED	REPLACES	REPLACED BY
			ACM1	ACM1
LABGRUPPEN			DATE	PAGE
KUNGSBACKA SWEDEN			DRAWING NO	ACM1
Analog control and monitor circuit type 1				



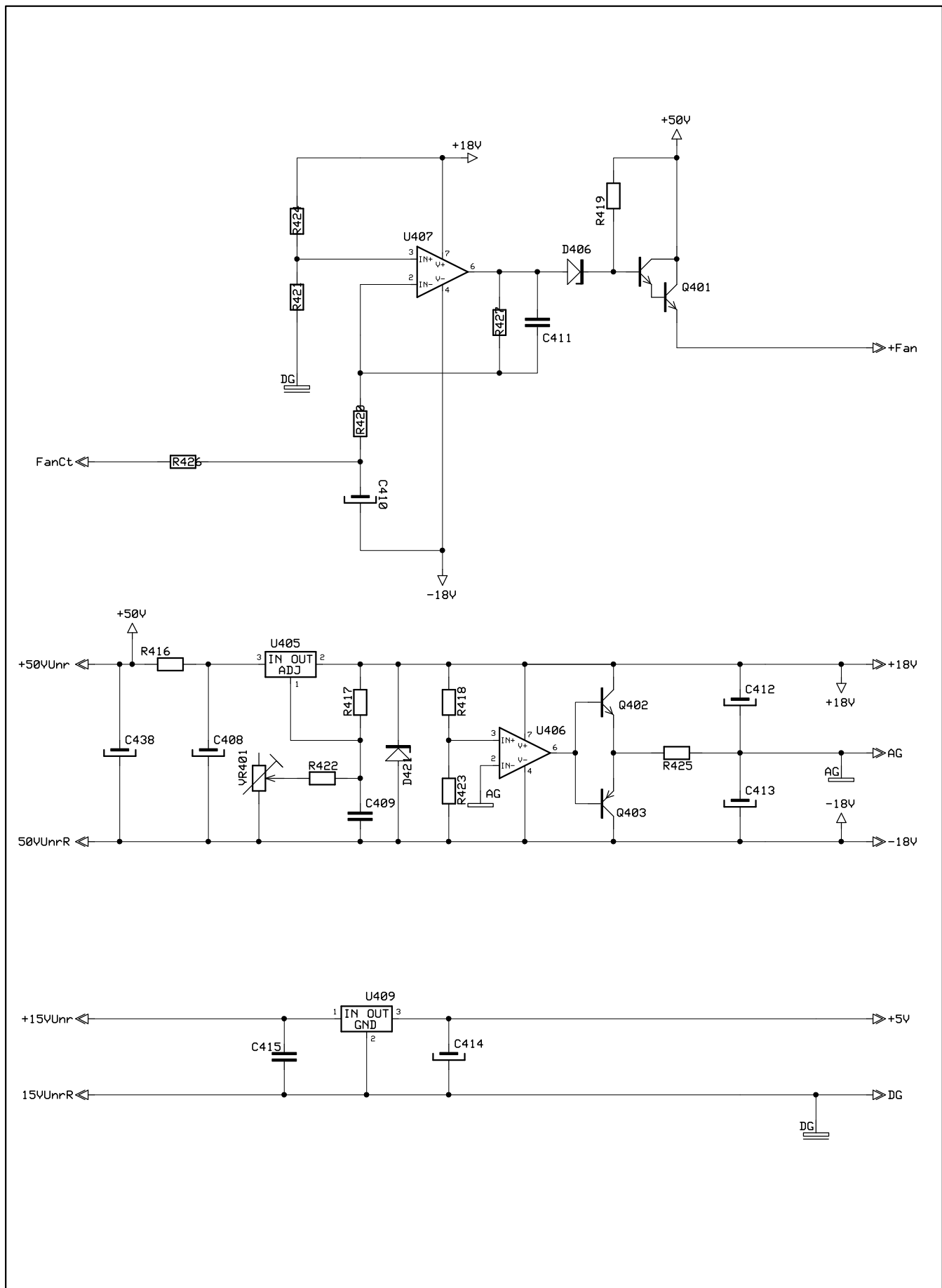
DESIGN	DRAWN	CHECKED	REPLACES	REPLACED BY
			ACM1	ACM1
LABGRUPPEN KUNGSBACKA SWEDEN			DATE	PAGE
Analog control and monitor circuit type 1			DRAWING NO	ACM1



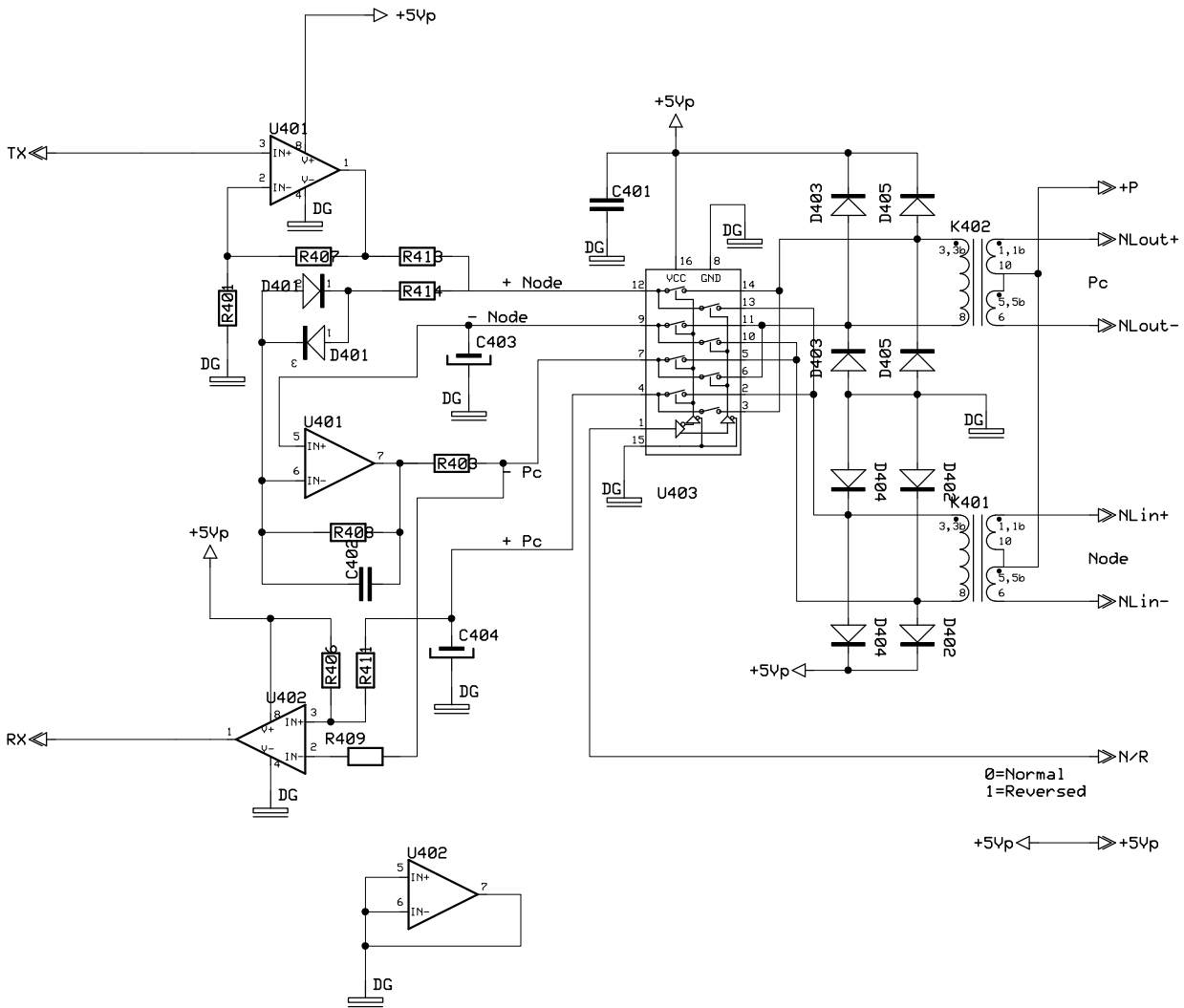
DESIGN	DRAWN	CHECKED	REPLACES	REPLACED BY
LABGRUPPEN KUNGSBACKA SWEDEN			DATE	PAGE
			DRAWING NO	



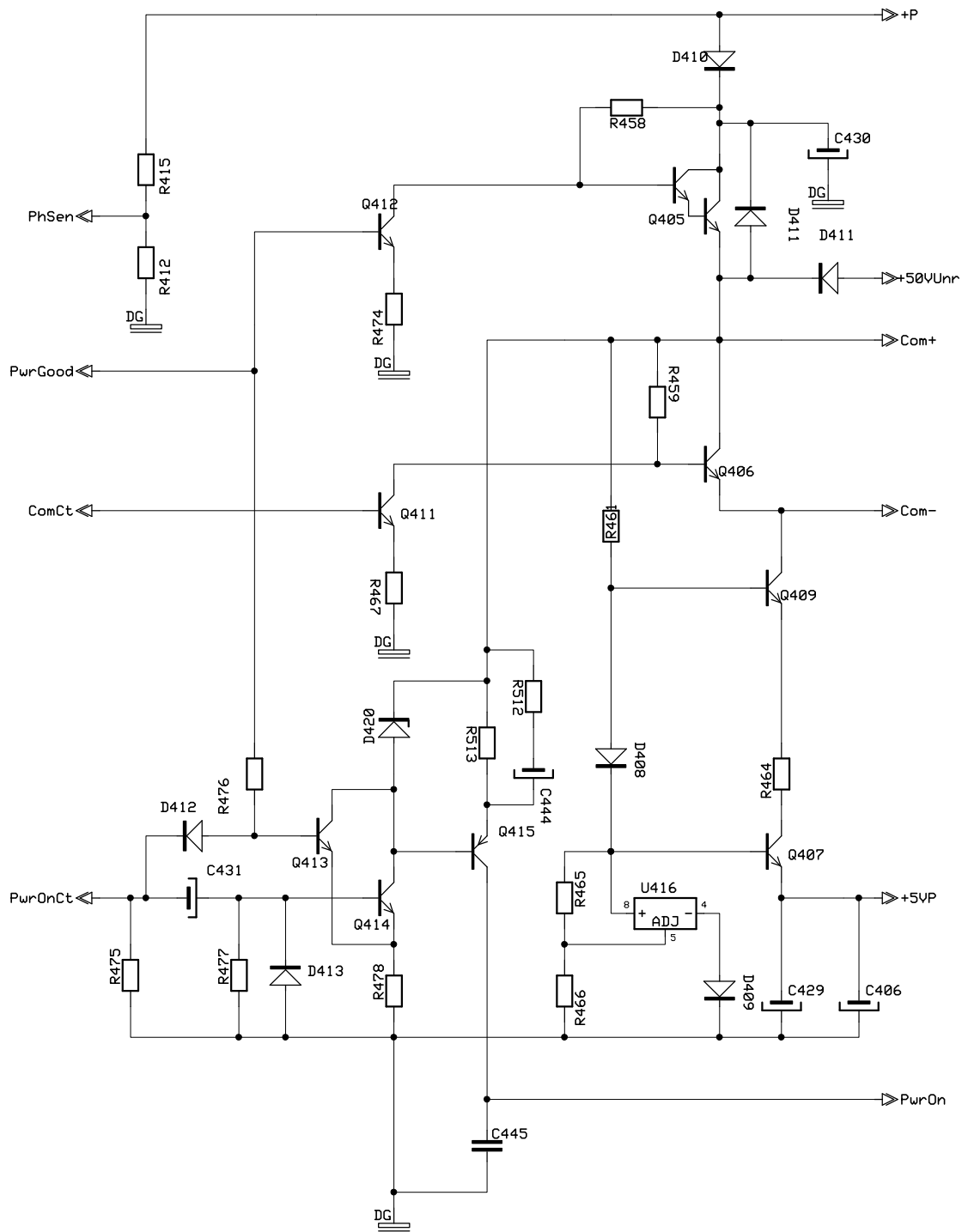
DESIGN	DRAWN	CHECKED	REPLACES	REPLACED BY
LABGRUPPEN KUNGSBACKA SWEDEN			DATE	PAGE
			DRAWING NO	



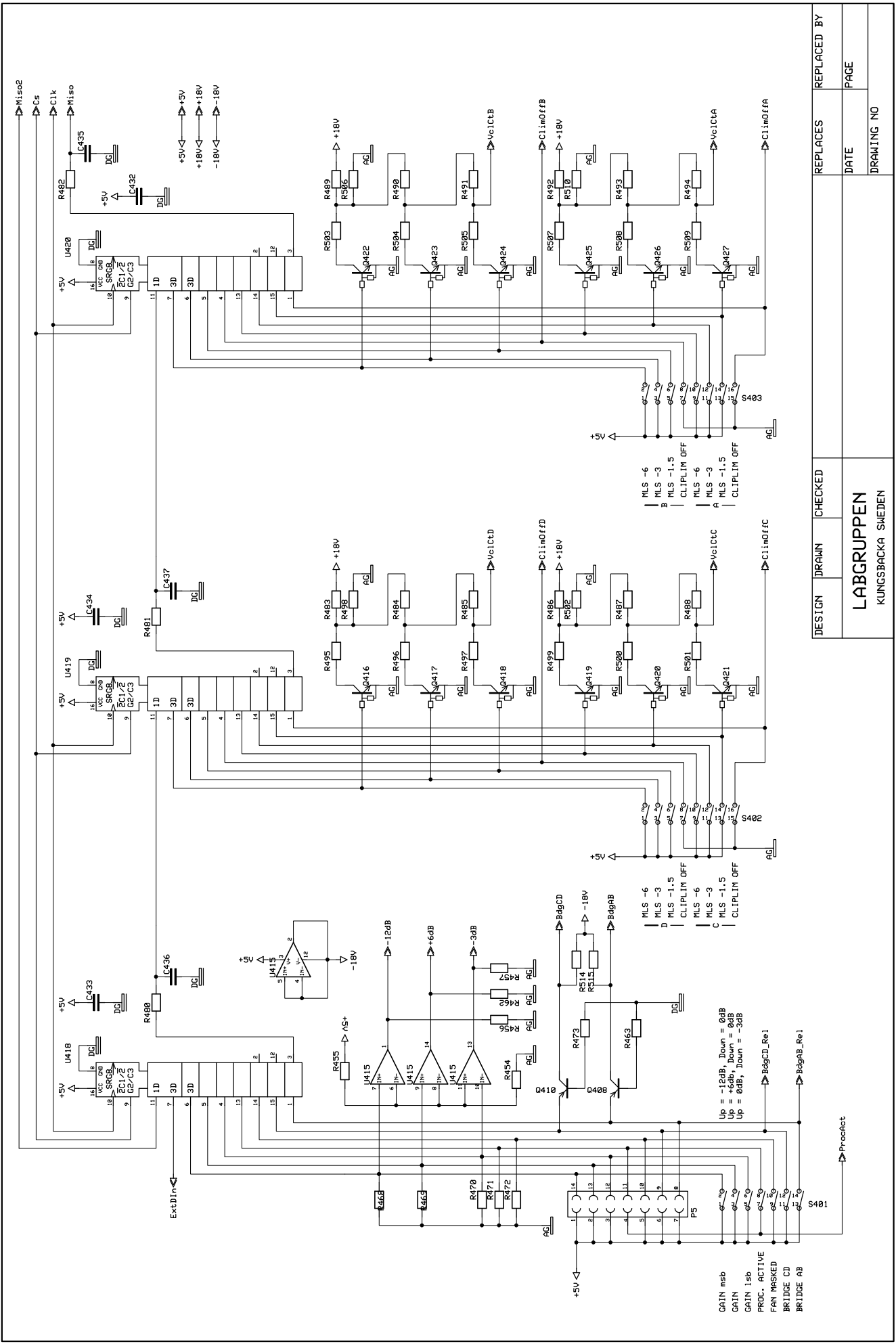
DESIGN KA	DRAWN	CHECKED	LVPsB	REPLACES	REPLACED BY
LABGRUPPEN KUNGSBACKA SWEDEN				Low voltage power supply type1	DATE



DESIGN	DRAWN	CHECKED	NLI	REPLACES	REPLACED BY	
LABGRUPPEN KUNGSBACKA SWEDEN				Nomad link interface		DATE



DESIGN KA	DRAWN	CHECKED	NLIPs	REPLACES	REPLACED BY	
LABGRUPPEN KUNGSBACKA SWEDEN				Nomad Link Interface Power Supply		DATE



DESIGN	DRAWN	CHECKED	REPLACES	REPLACED BY
			DATE	PAGE
			DRAWING NO	

LABGRUPPEN
KUNGSBACKA SWEDEN

Up = -120B, Down = 0dB
 Up = 0dB, Down = -38B
 Up = 0dB, Down = -38B

- | MLS -6
- | MLS -3
- | MLS -1.5
- | CLPLIM OFF
- | MLS -6
- | MLS -3
- | MLS -1.5
- | CLPLIM OFF

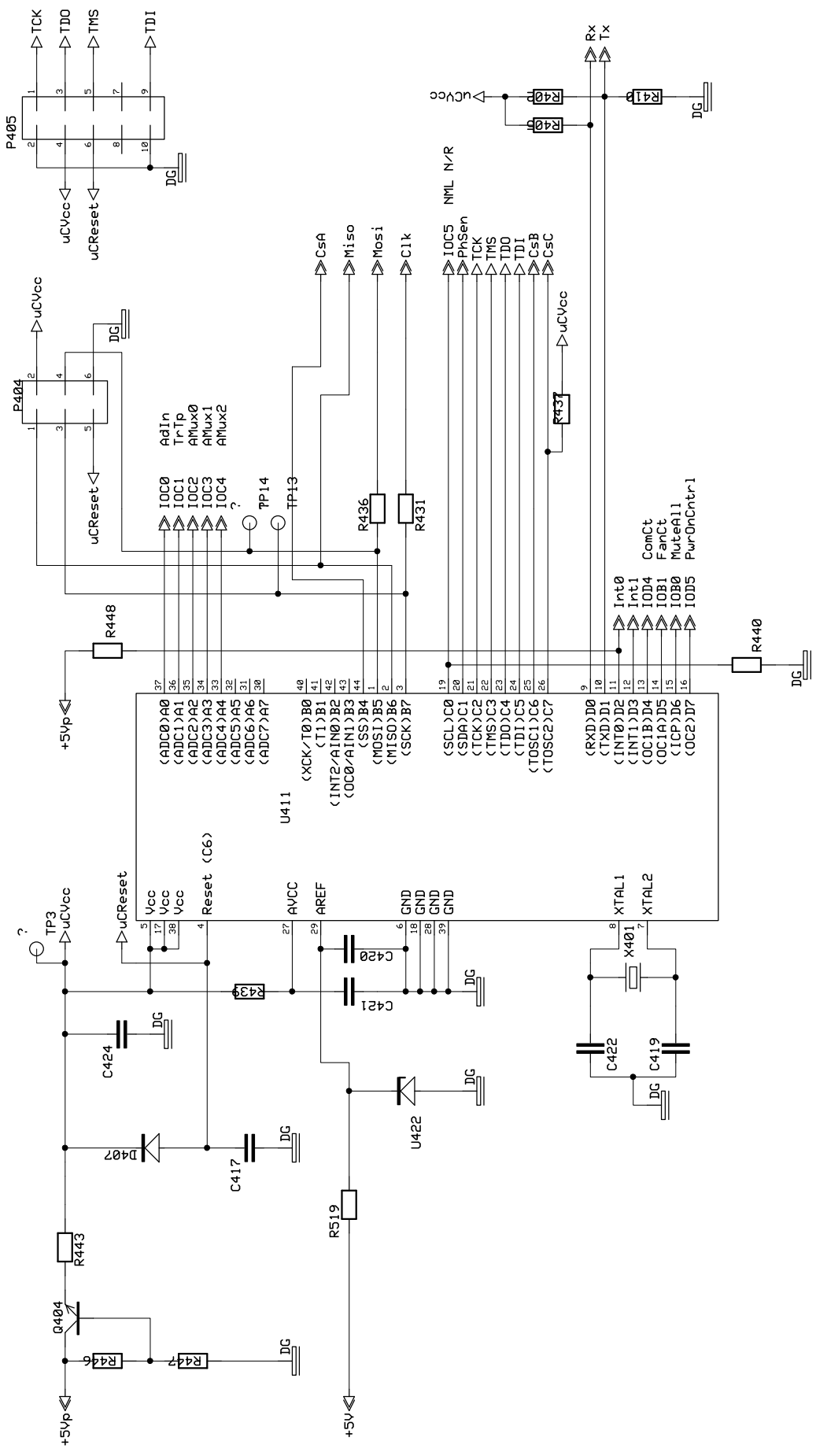
- | MLS -6
- | MLS -3
- | MLS -1.5
- | CLPLIM OFF
- | MLS -6
- | MLS -3
- | MLS -1.5
- | CLPLIM OFF

- | MLS -6
- | MLS -3
- | MLS -1.5
- | CLPLIM OFF
- | MLS -6
- | MLS -3
- | MLS -1.5
- | CLPLIM OFF

GAIN mSB
 GAIN 1dB
 PROC. ACTIVE
 FRN MASKED
 BRIDGE CD
 BRIDGE AB

ISP Port

JTAG Port



DESIGN	DRAWN	CHECKED	REPLACES	REPLACED BY
LABGRUPPEN KUNGSBACKA SWEDEN			UPcB	
			DATE	PAGE
			DRAWING NO	UPcB

Micro Processor unit typeB