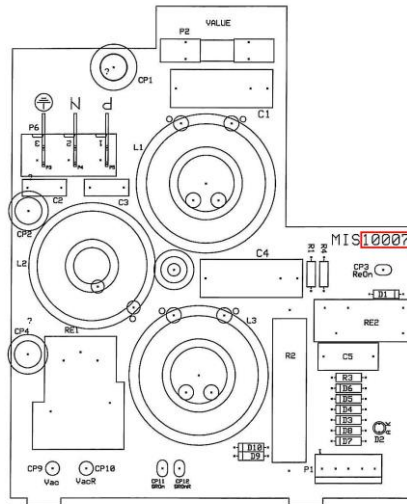


## Restriction nr2

About replacing the SP100F, SP130F, SP140F and MIS10006, MIS10007, MIS10008, MIS130

When replacing SP100F, SP130F or SP140F or MIS10006, MIS10007, MIS10008, MIS130 in an amplifier you need to make sure that the 33Ω resistor is NOT active at both R19 on SP100F/SP130F/SP140F and R5 on MIS100/MIS130.



Picture below shows placement for R19 on SP100F, SP130F and SP140F.

