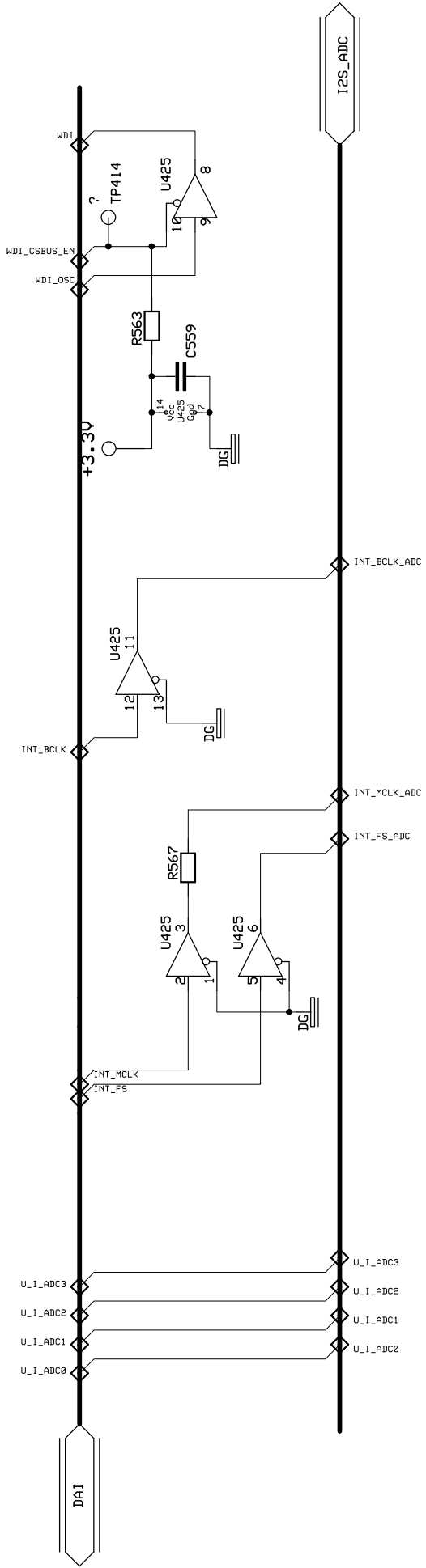
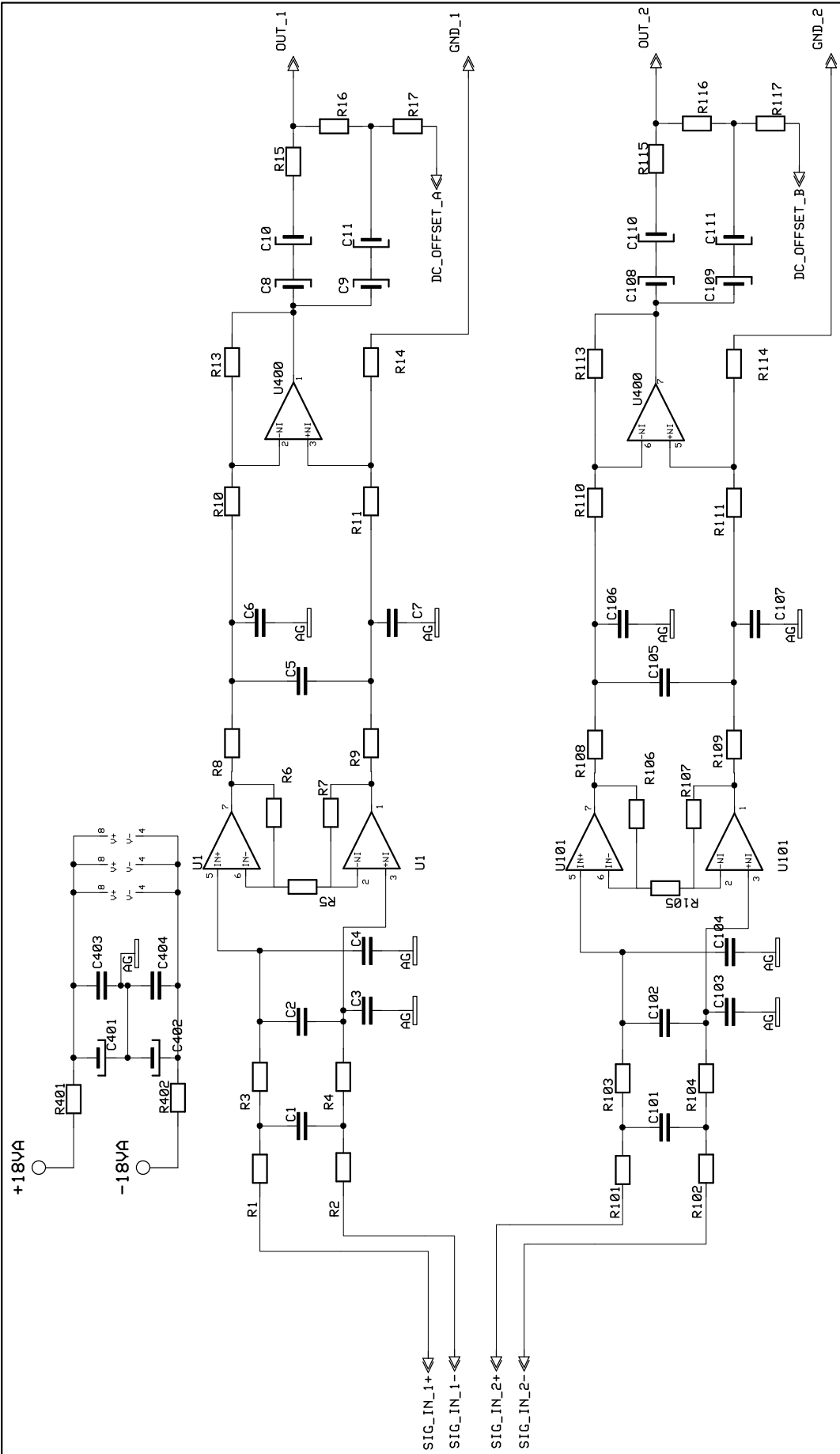


DESIGN	DRAWN	CHECKED	DIC04B	REPLACES	REPLACED BY
	LPC			090719	ANMAG
LABGRUPPEN			DATE	DATE	PAGE
KUNGSBACKA SWEDEN			110331	110331	1
			DRAWING NO	DIC04B03	
			Digital In Control Out vers. B		

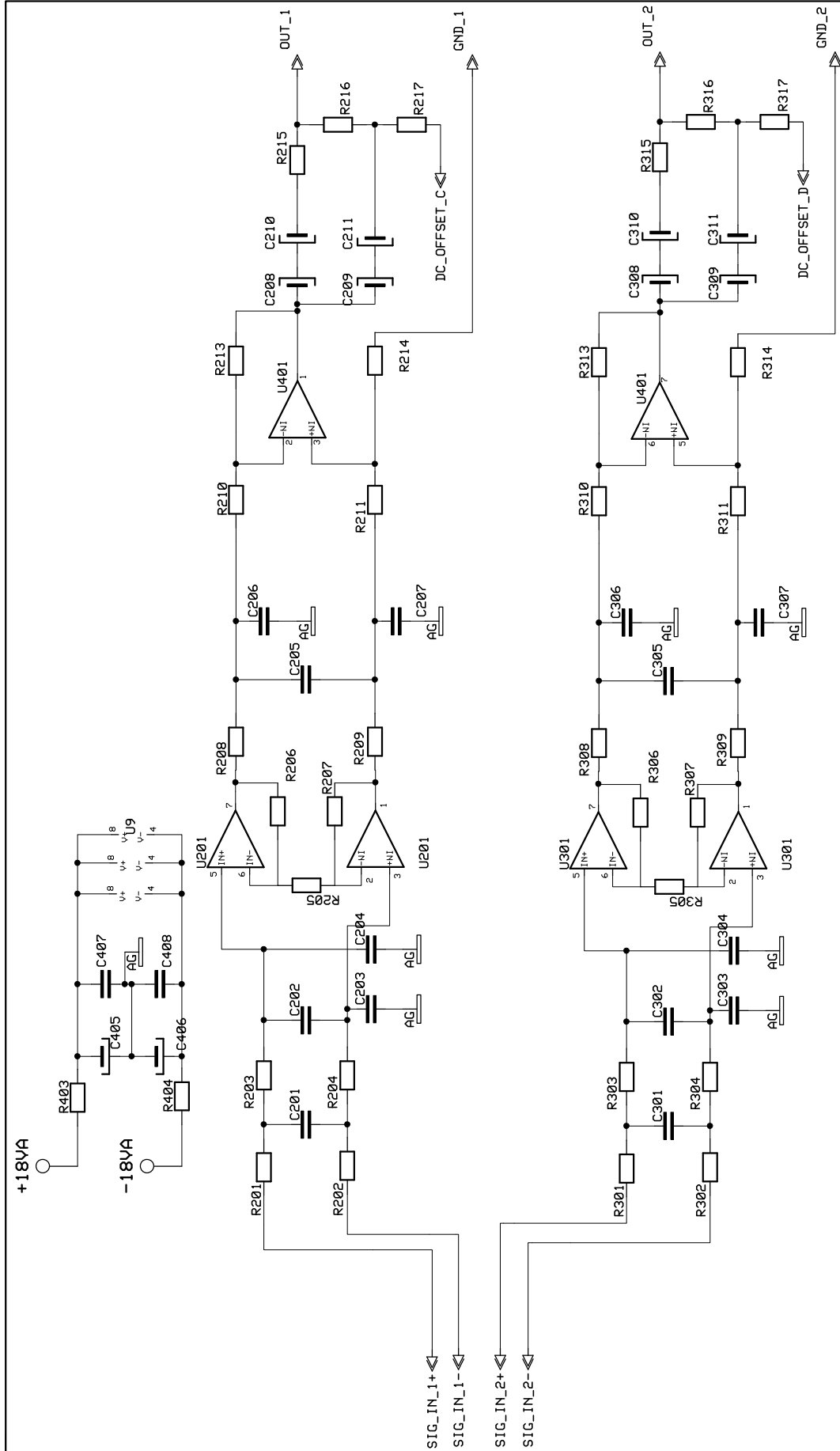
○ P7 P6



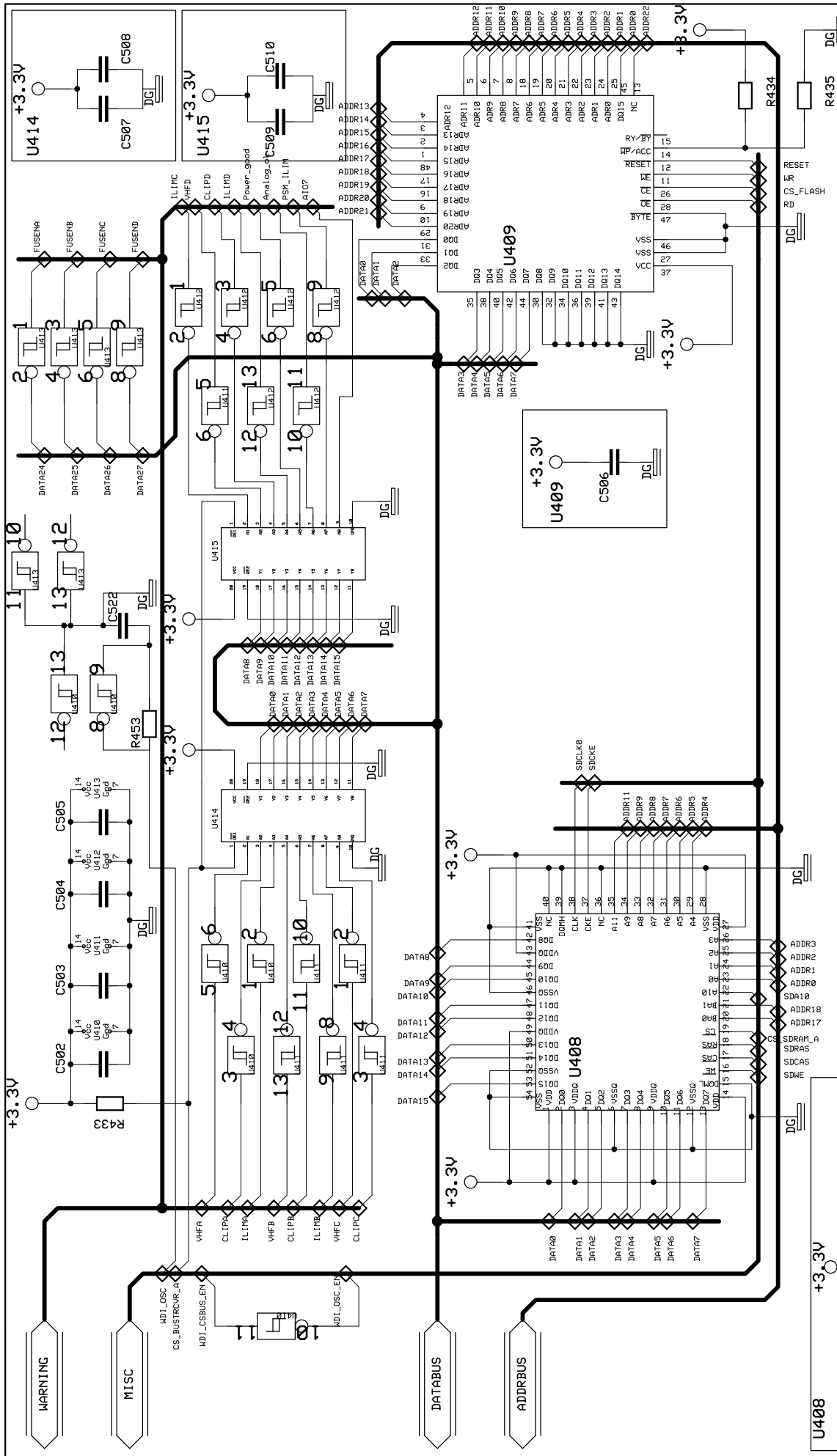
DESIGN LPC	DRAWN LPC	CHECKED	ADC_I2S	REPLACES	REPLACED BY
LABGRUPPEN KUNGSBACKA SWEDEN			DATE 100607	DATE 100607	PAGE 2
			DRAWING NO		



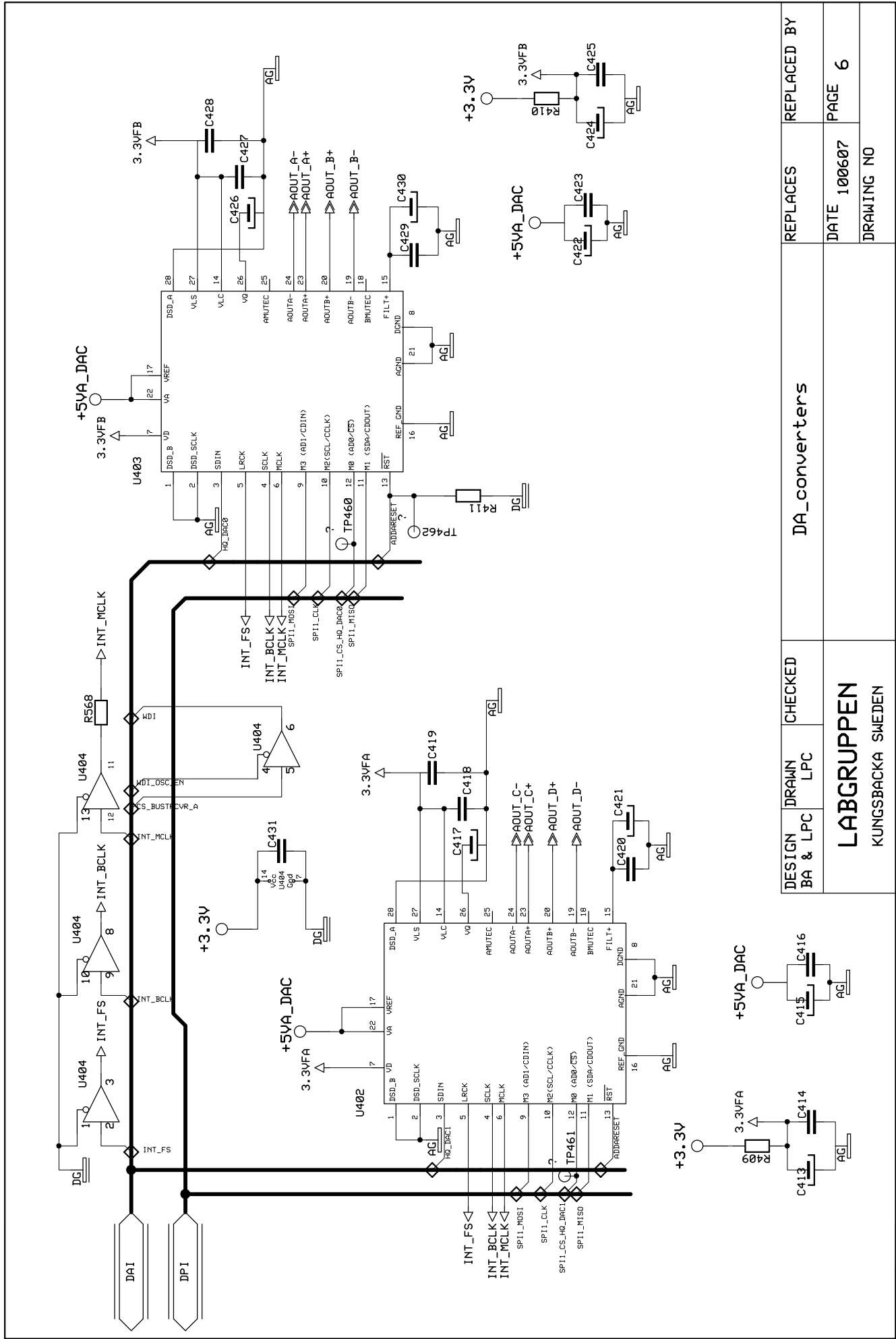
DESIGN BA	DRAWN LPC	CHECKED	D/A_AB	REPLACES	REPLACED BY
LABGRUPPEN KUNGSBACKA SWEDEN			D/A conversion Ch. A & B	DATE 100607	PAGE 3
				DRAWING NO	



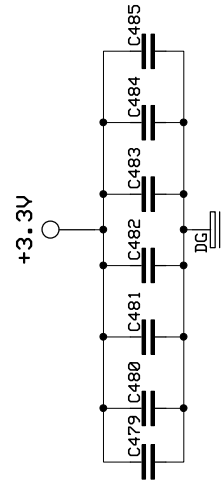
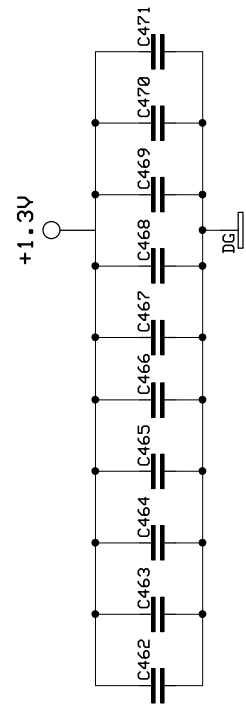
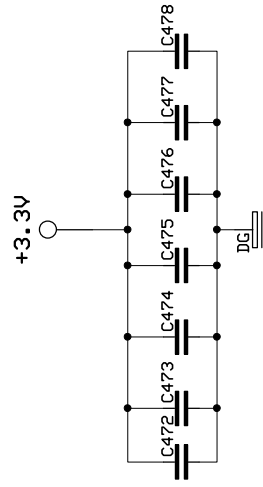
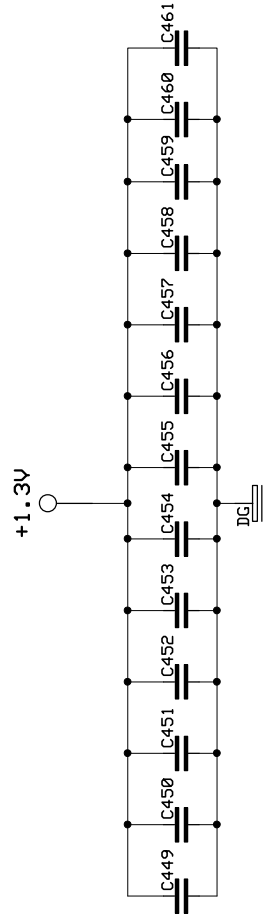
DESIGN BA	DRAWN LPC	CHECKED	D/A_CD	REPLACES	REPLACED BY
LABGRUPPEN KUNGSBACKA SWEDEN			D/A conversion Ch. C & D	DATE 100607	PAGE 4
				DRAWING NO	



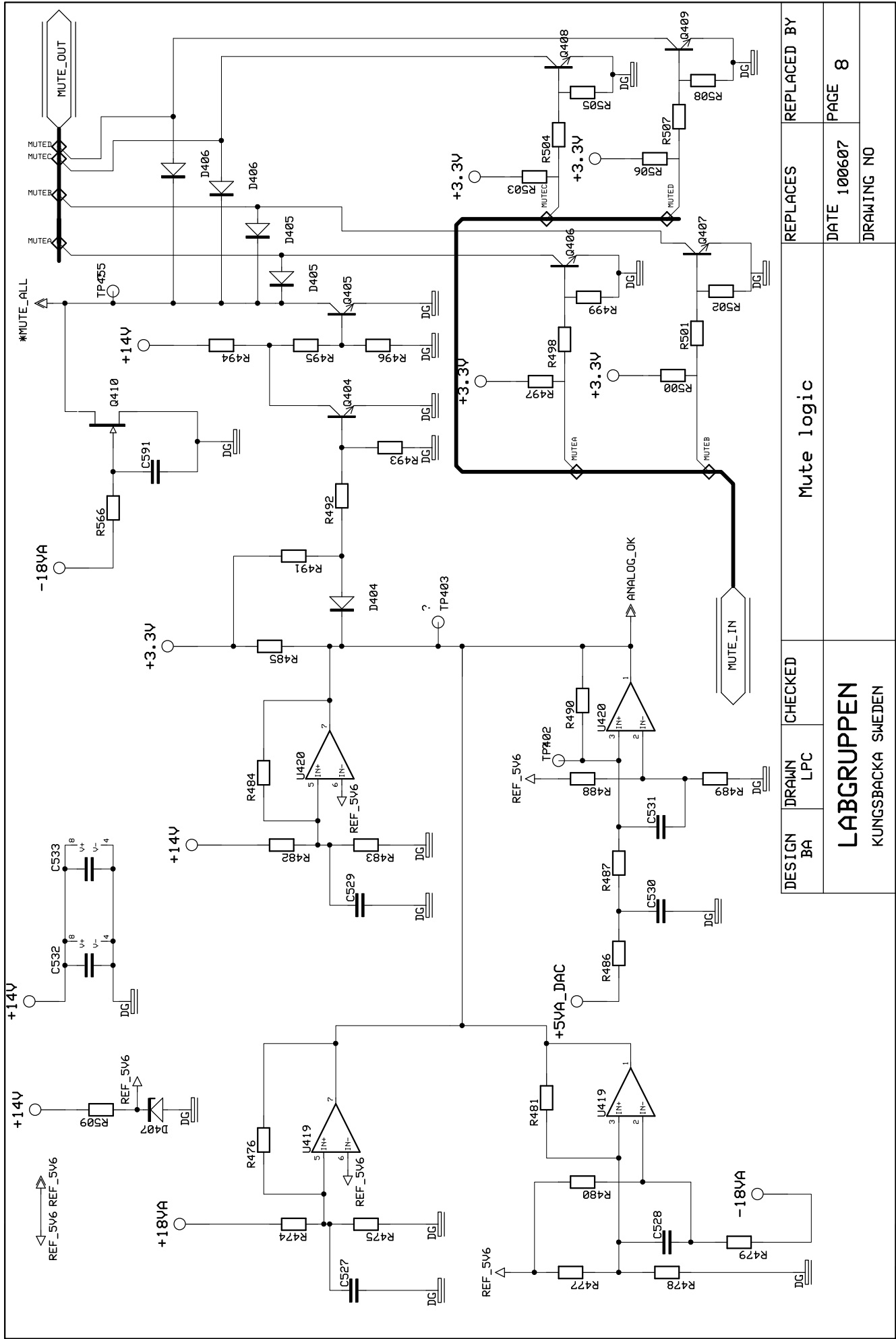
DESIGN LPC	DRAWN LPC	CHECKED	REPLACES DATABUS/SDRAM/FLASH	REPLACED BY
LABGRUPPEN KUNGSBACKA SWEDEN			DATE 100607	PAGE 5
			DRAWING NO	



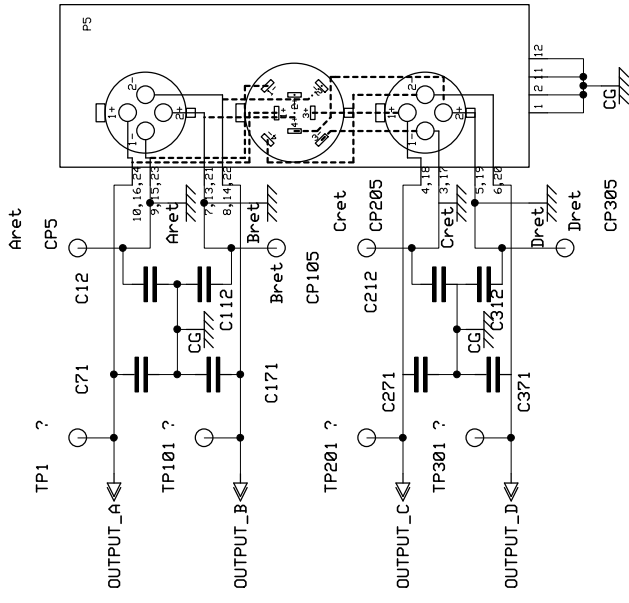
DESIGN DRAWN BA & LPC	CHECKED LPC	DA_converters	REPLACES	REPLACED BY
LABGRUPPEN KUNGSBACKA SWEDEN		DATE 100607		PAGE 6
		DRAWING NO		



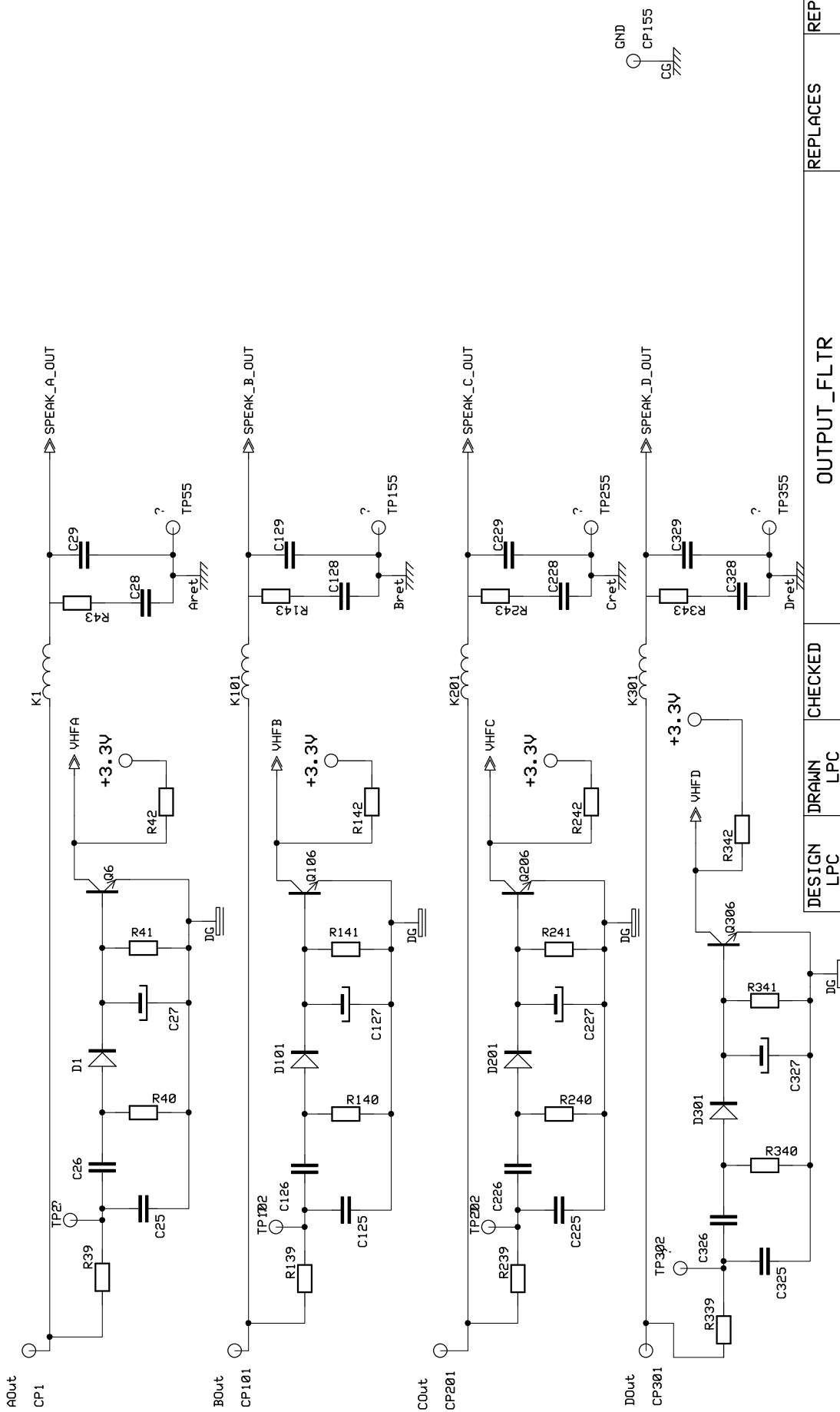
DESIGN LPC	DRAWN LPC	CHECKED	SHARC Decoupling	REPLACES	REPLACED BY
LABGRUPPEN KUNGSBACKA SWEDEN				DATE 100607	PAGE 7
				DRAWING NO	



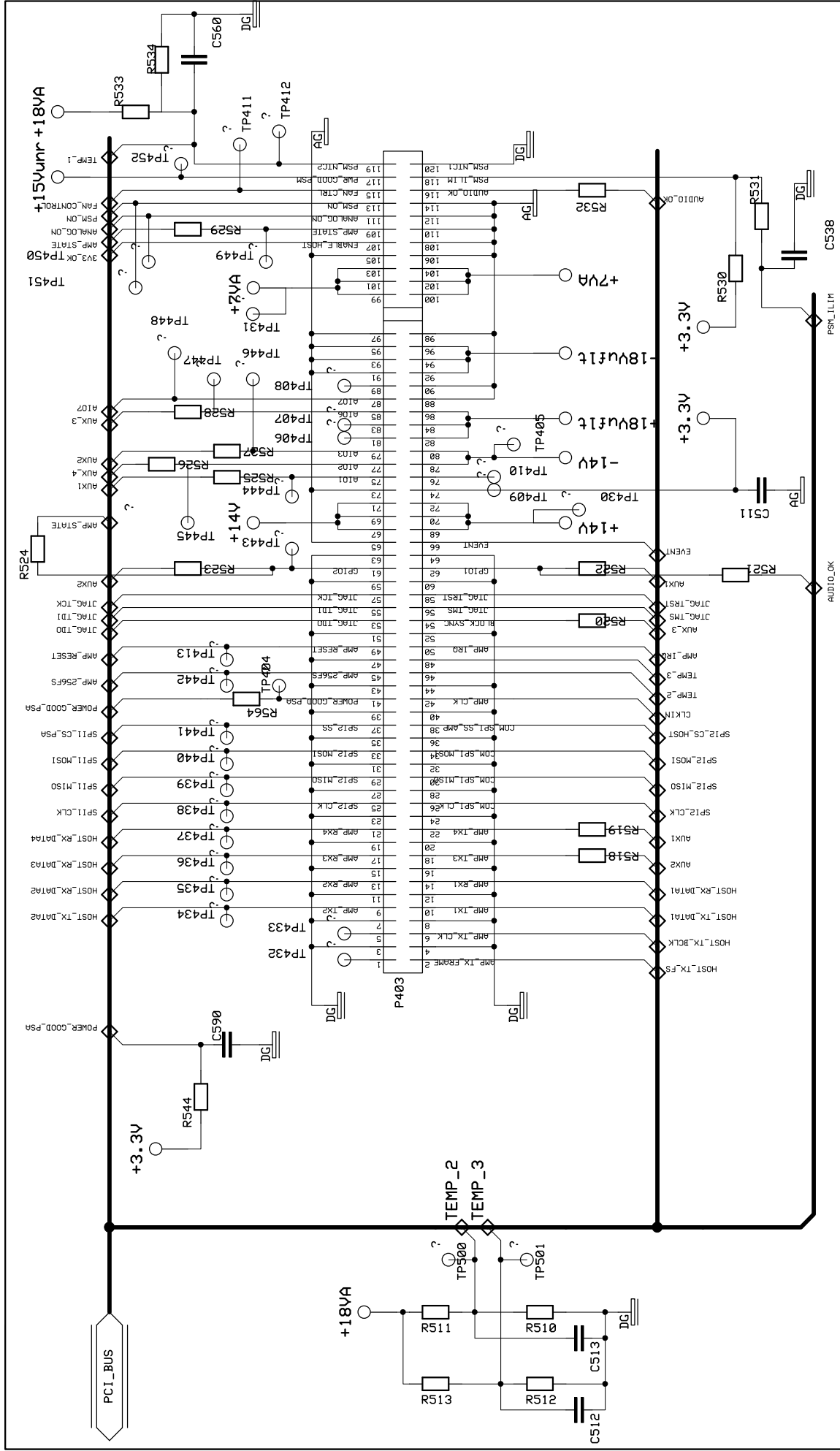
DESIGN BA	DRAWN LPC	CHECKED	REPLACES	REPLACED BY
LABGRUPPEN KUNGSBACKA SWEDEN			Mute logic	
			DATE 100607	PAGE 8
			DRAWING NO	



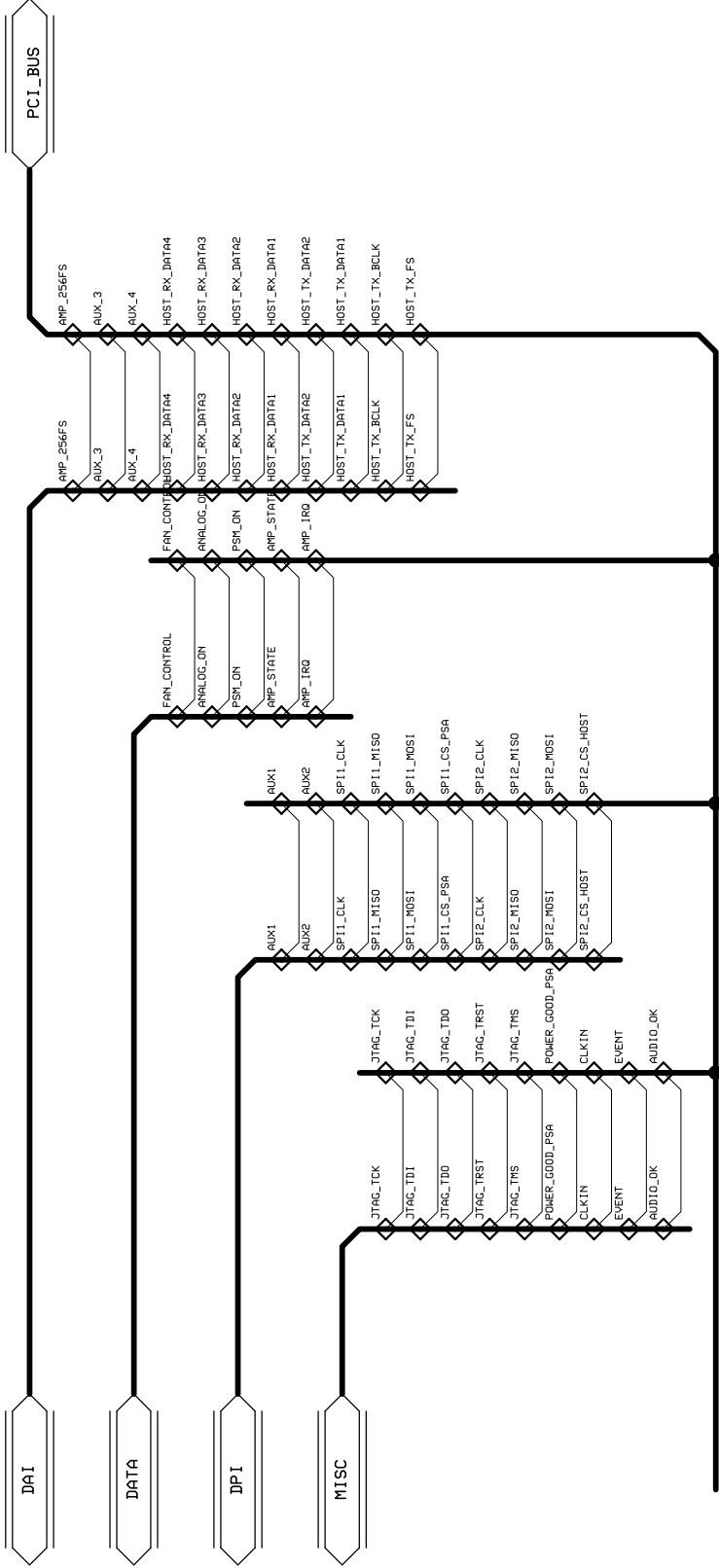
DESIGN	DRAWN	CHECKED	Output	REPLACES	REPLACED BY
LABGRUPPEN KUNGSBACKA SWEDEN			Output connector	DATE 100607	PAGE 9
				DRAWING NO	



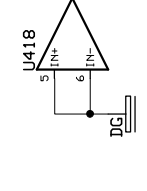
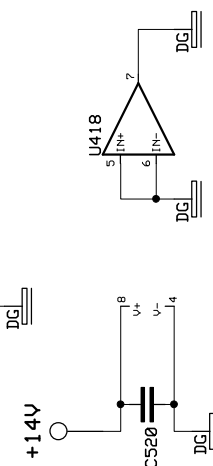
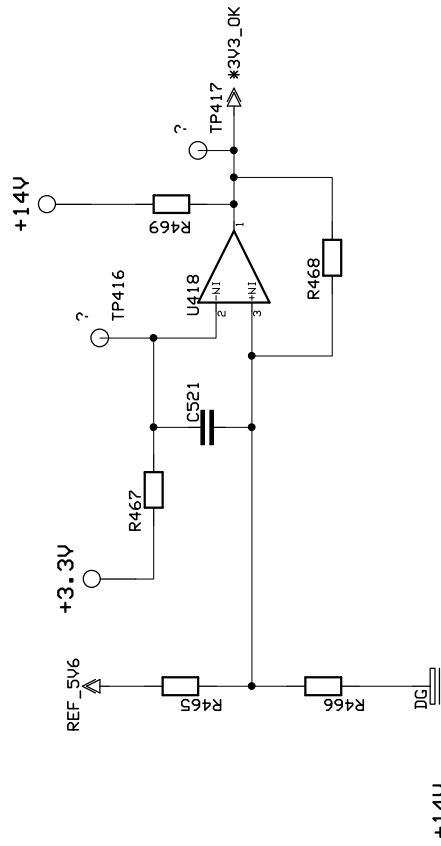
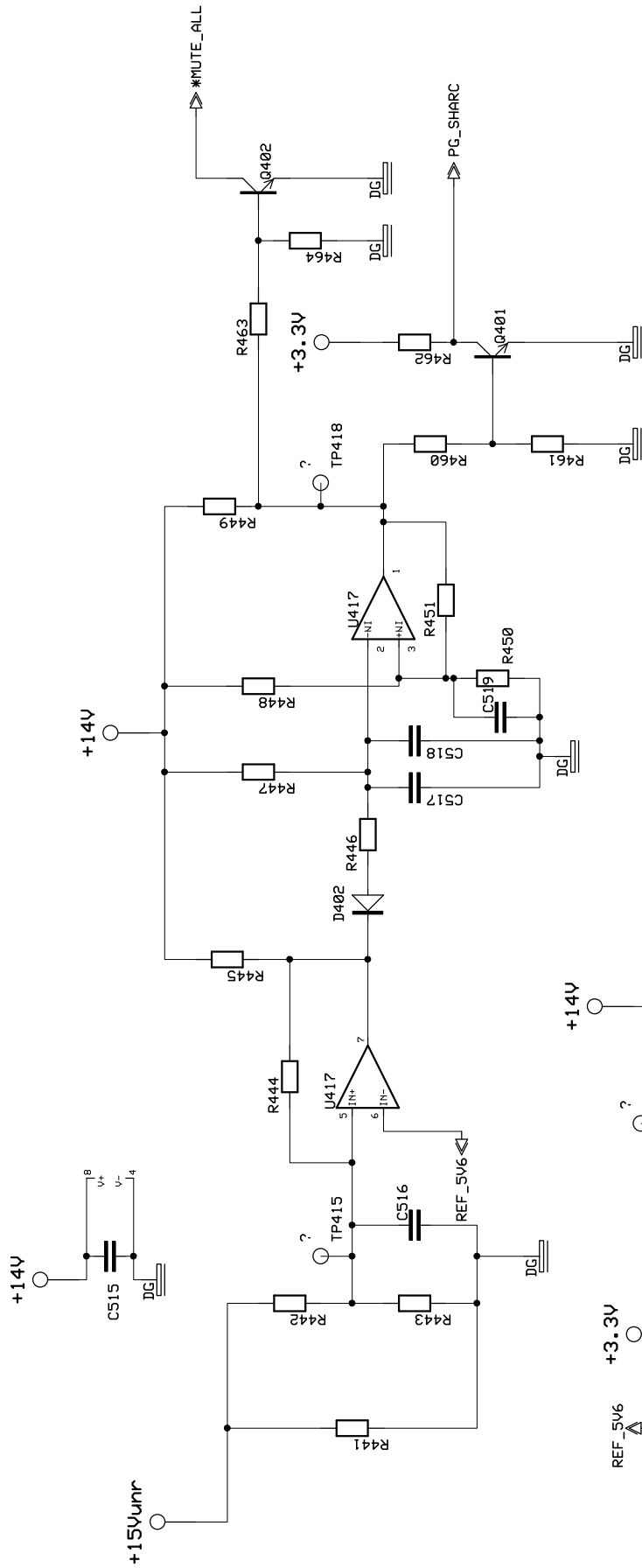
DESIGN	LPC	DRAWN	LPC	CHECKED		REPLACES		REPLACED BY
LABGRUPPEN				OUTPUT_FLTR		DATE	100607	PAGE 10
KUNGSBACKA SWEDEN				Output filter and VHF		DRAWING NO		



DESIGN LPC	DRAWN LPC	CHECKED	PCI	REPLACES	REPLACED BY
LABGRUPPEN KUNGSBACKA SWEDEN			PCI connector	DATE 100607	PAGE 1 1
				DRAWING NO	



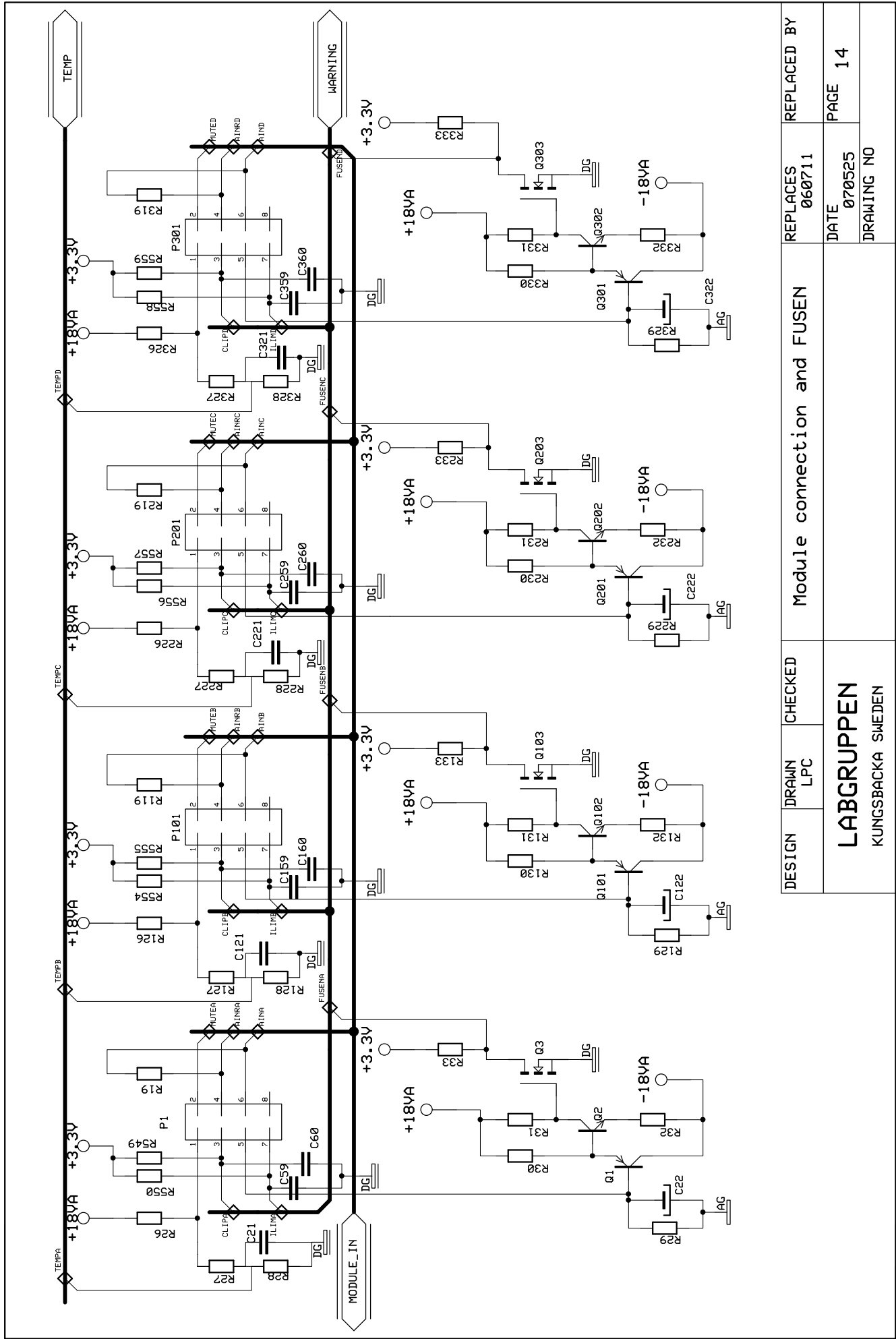
DESIGN LPC	DRAWN LPC	CHECKED	REPLACES PCI_BUS	REPLACED BY
LABGRUPPEN KUNGSBACKA SWEDEN			DATE 100607	PAGE 12
			DRAWING NO	



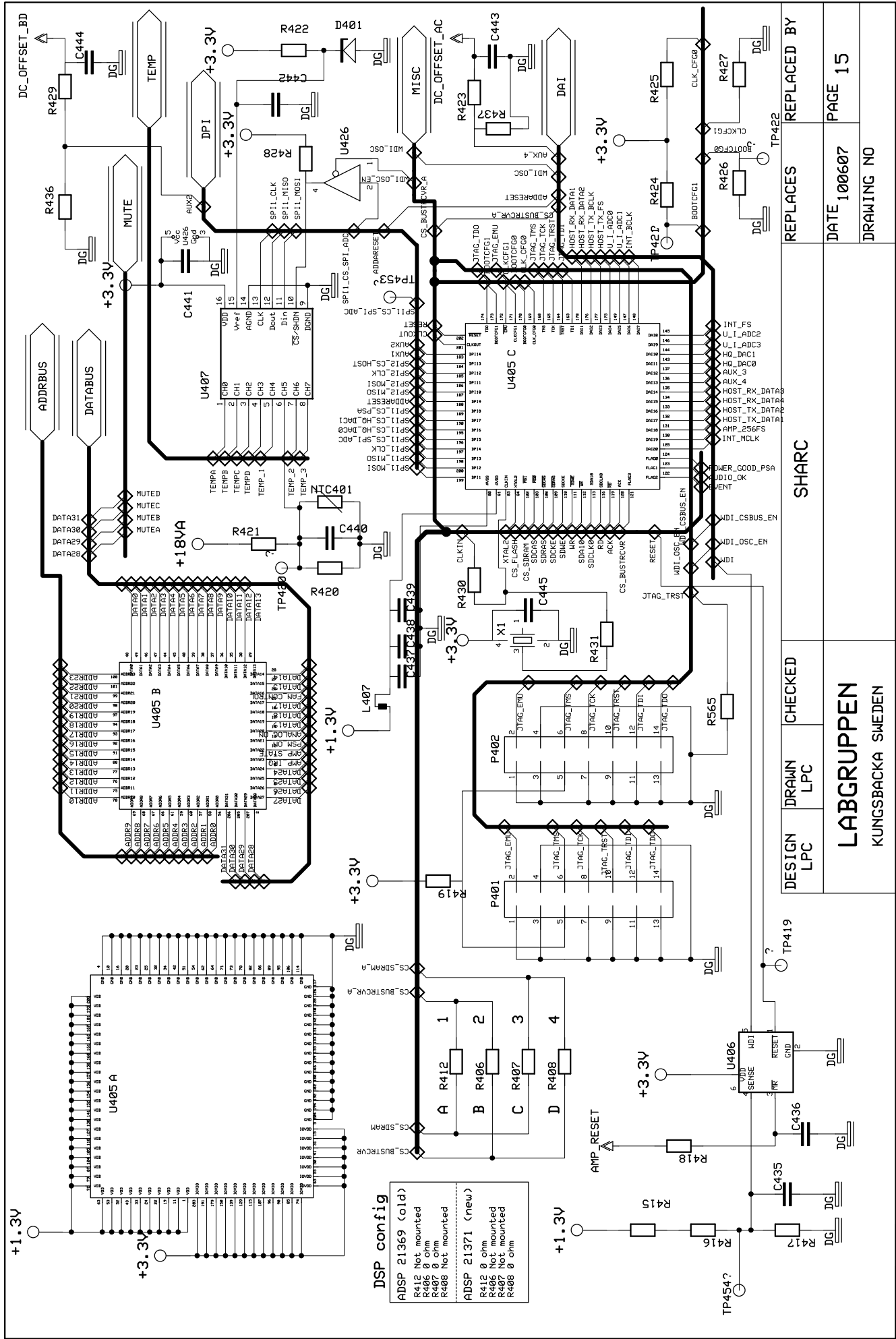
DESIGN BA
 DRAWN LPC
 CHECKED
LABGRUPPEN
 KUNGSBACKA SWEDEN

Power good

REPLACES
 DATE 100607
 DRAWING NO
 REPLACED BY
 PAGE 13



DESIGN	DRAWN LPC	CHECKED	Module connection and FUSEN	REPLACES 060711	REPLACED BY
LABGRUPPEN KUNGSBACKA SWEDEN				DATE 070525	PAGE 14
				DRAWING NO	

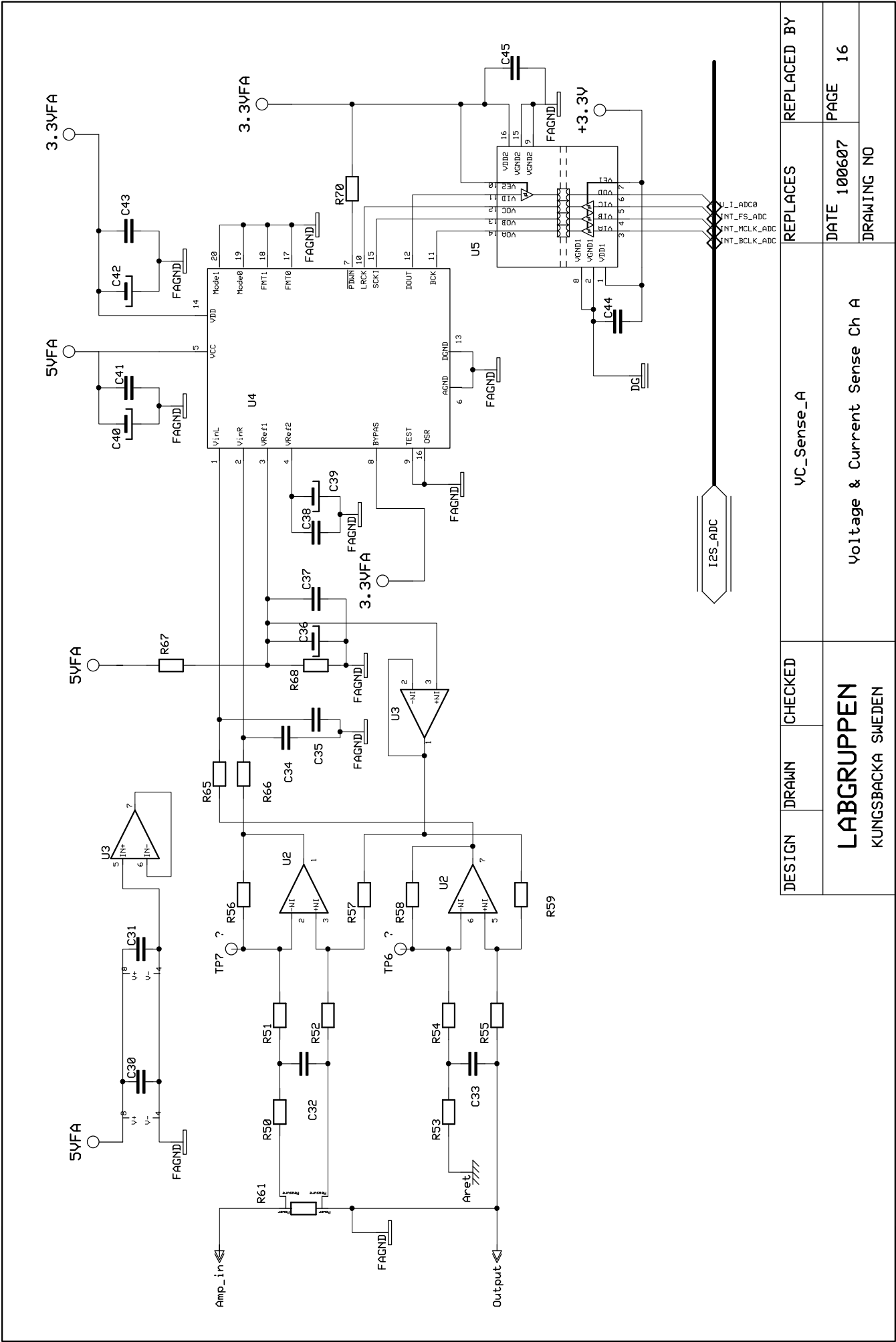


DESIGN	LPC	DRAWN	LPC	CHECKED	SHARC	REPLACES	

LABGRUPPEN
KUNGSBACKA SWEDEN

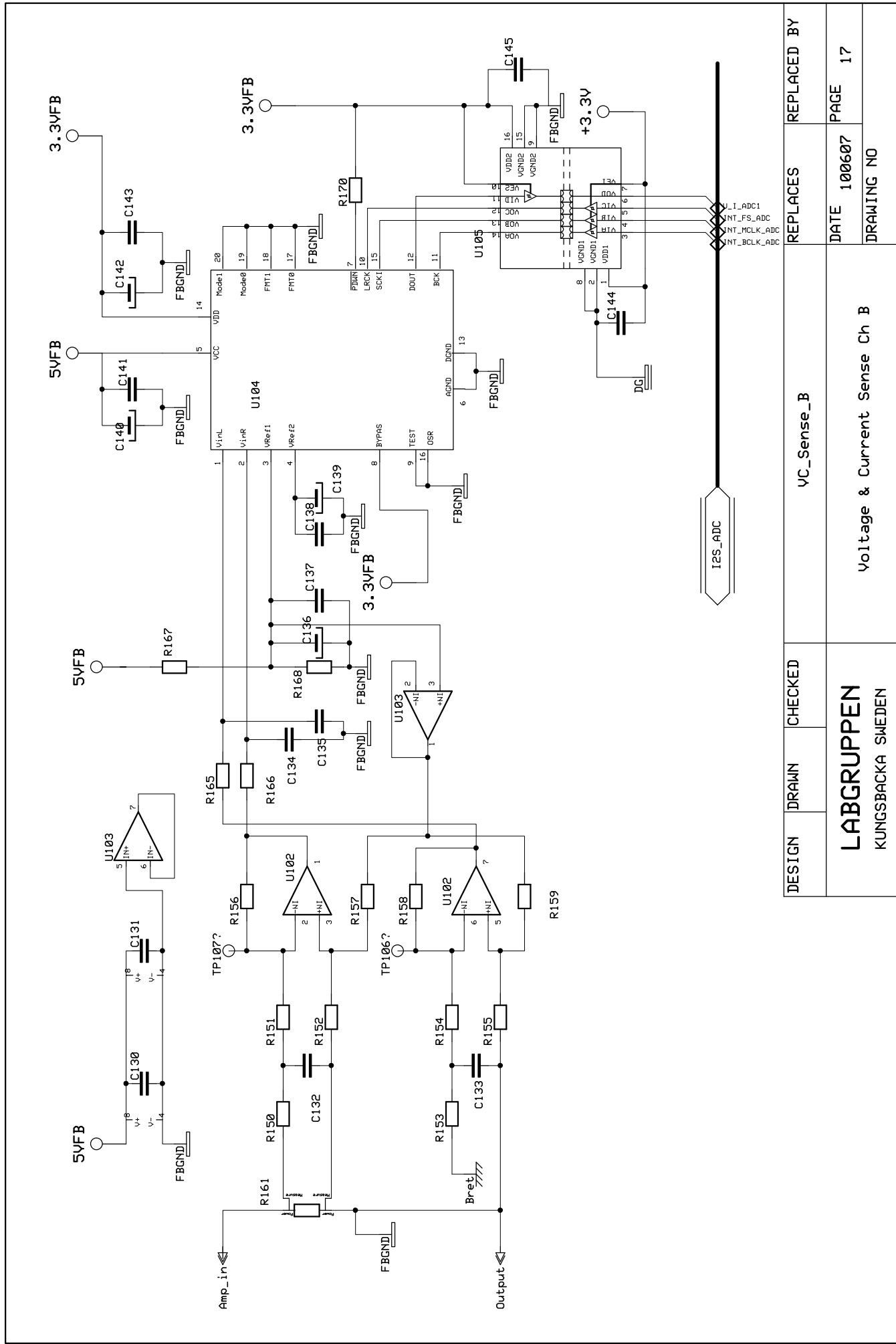
DATE 100607
DRAWING NO

REPLACED BY
PAGE 15

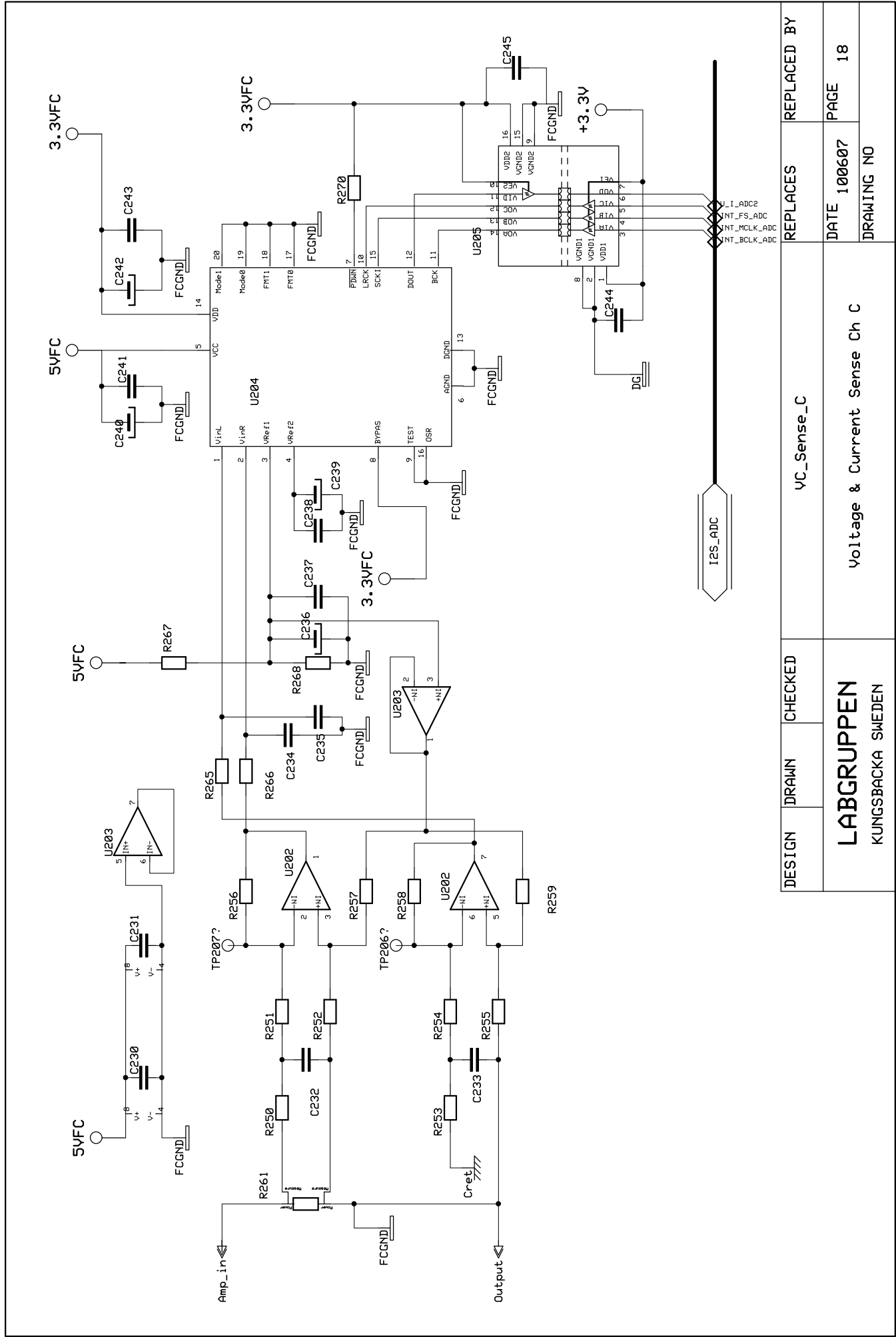


DESIGN	DRAWN	CHECKED	REPLACES	REPLACED BY
LABGRUPPEN KUNGSBACKA SWEDEN			YC_Sense_A	
			DATE 100607	PAGE 16
			DRAWING NO	

Yoitage & Current Sense Ch A

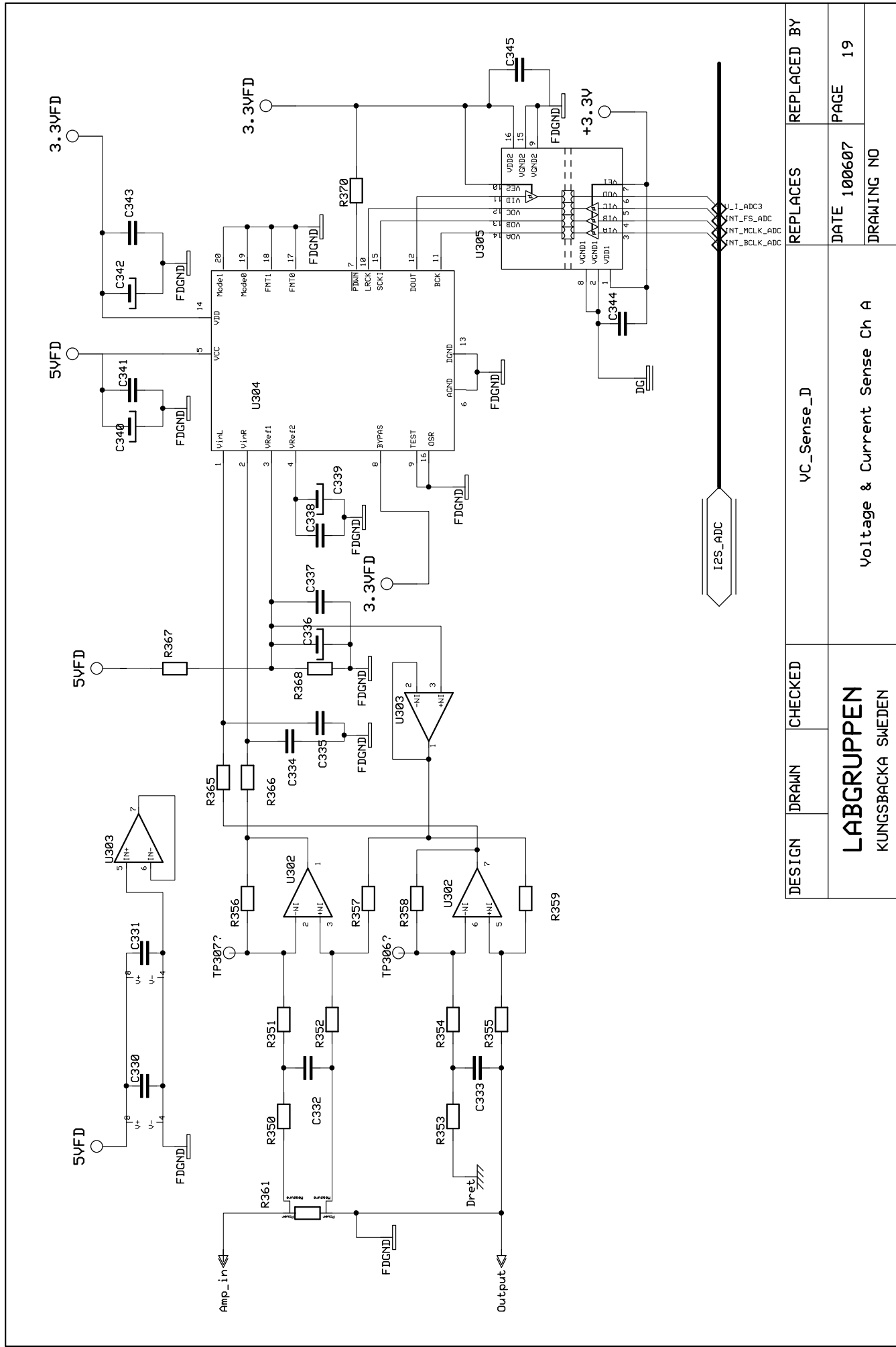


DESIGN	DRAWN	CHECKED	REPLACES	REPLACED BY
LABGRUPPEN KUNGSBACKA SWEDEN			YC_Sense_B	
			DATE 100607	PAGE 17
			DRAWING NO	
Voltage & Current Sense Ch B				

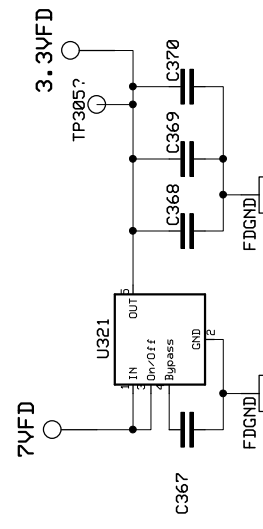
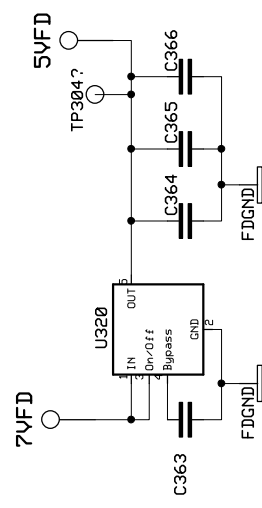
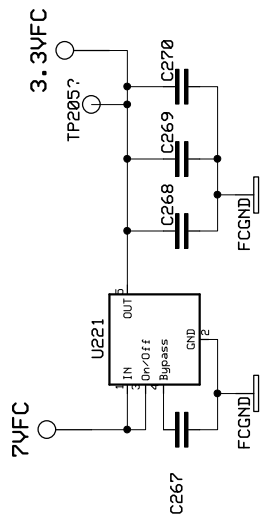
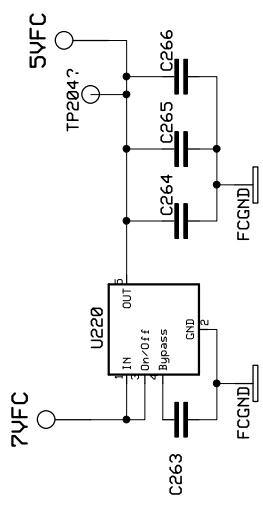
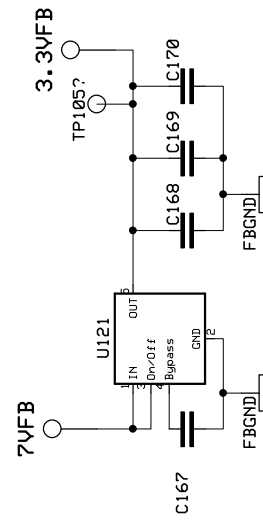
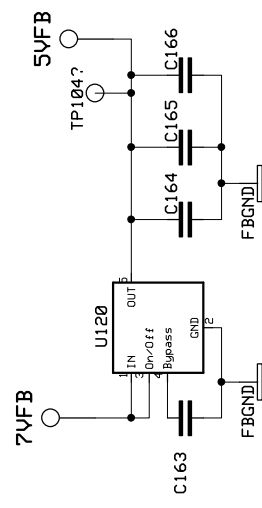
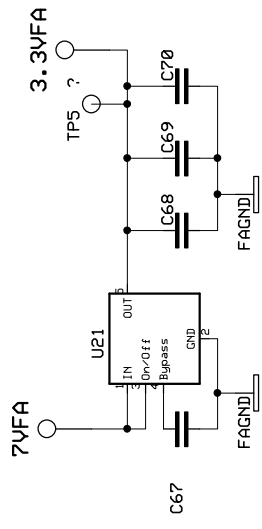
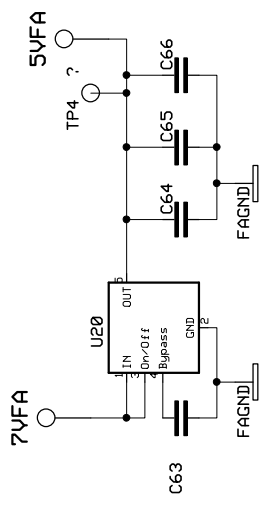


DESIGN	DRAWN	CHECKED	REPLACES	REPLACED BY
LABGRUPPEN KUNGSBACKA SWEDEN			VC_Sense_C	
			DATE 100607	PAGE 18
			DRAWING NO	

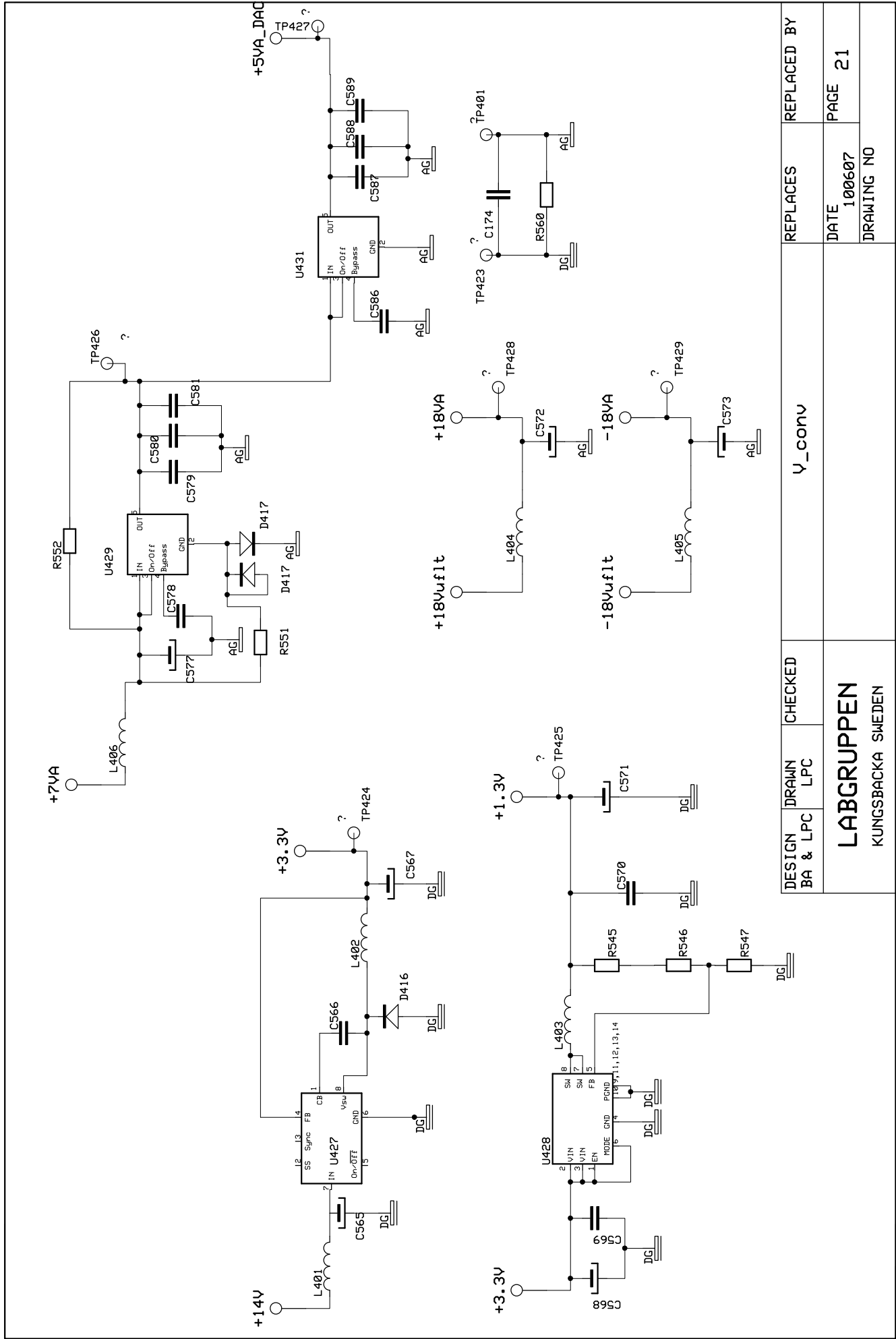
Voltage & Current Sense Ch C



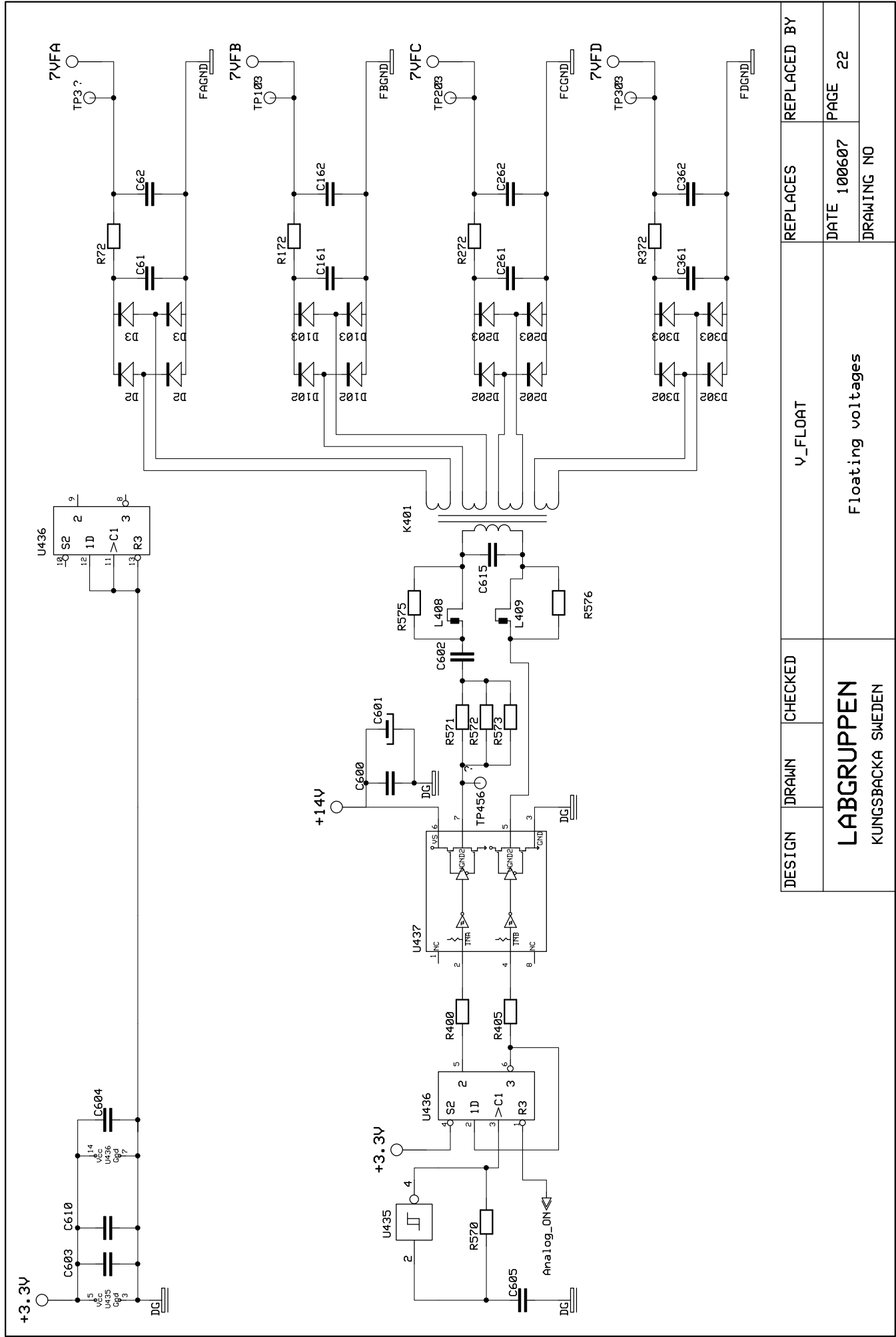
DESIGN	DRAWN	CHECKED	REPLACES	REPLACED BY
LABGRUPPEN KUNGSBACKA SWEDEN			VC_Sense_D	
			Voltage & Current Sense Ch A	
			DATE 100607	PAGE 19
			DRAWING NO	



DESIGN	DRAWN	CHECKED	REPLACES	REPLACED BY
LABGRUPPEN KUNGSBACKA SWEDEN			VF_conv	
			Floating voltages regulators	
			DATE	PAGE
			100607	20
			DRAWING NO	



DESIGN	DRAWN	CHECKED	REPLACES	REPLACED BY
BA & LPC	LPC			Y_conv
LABGRUPPEN KUNGSBACKA SWEDEN			DATE	PAGE
			100607	21
			DRAWING NO	



DESIGN	DRAWN	CHECKED	Y_FLOAT	REPLACES	REPLACED BY
LABGRUPPEN KUNGSBACKA SWEDEN			Floating voltages	DATE 100607	PAGE 22
				DRAWING NO	