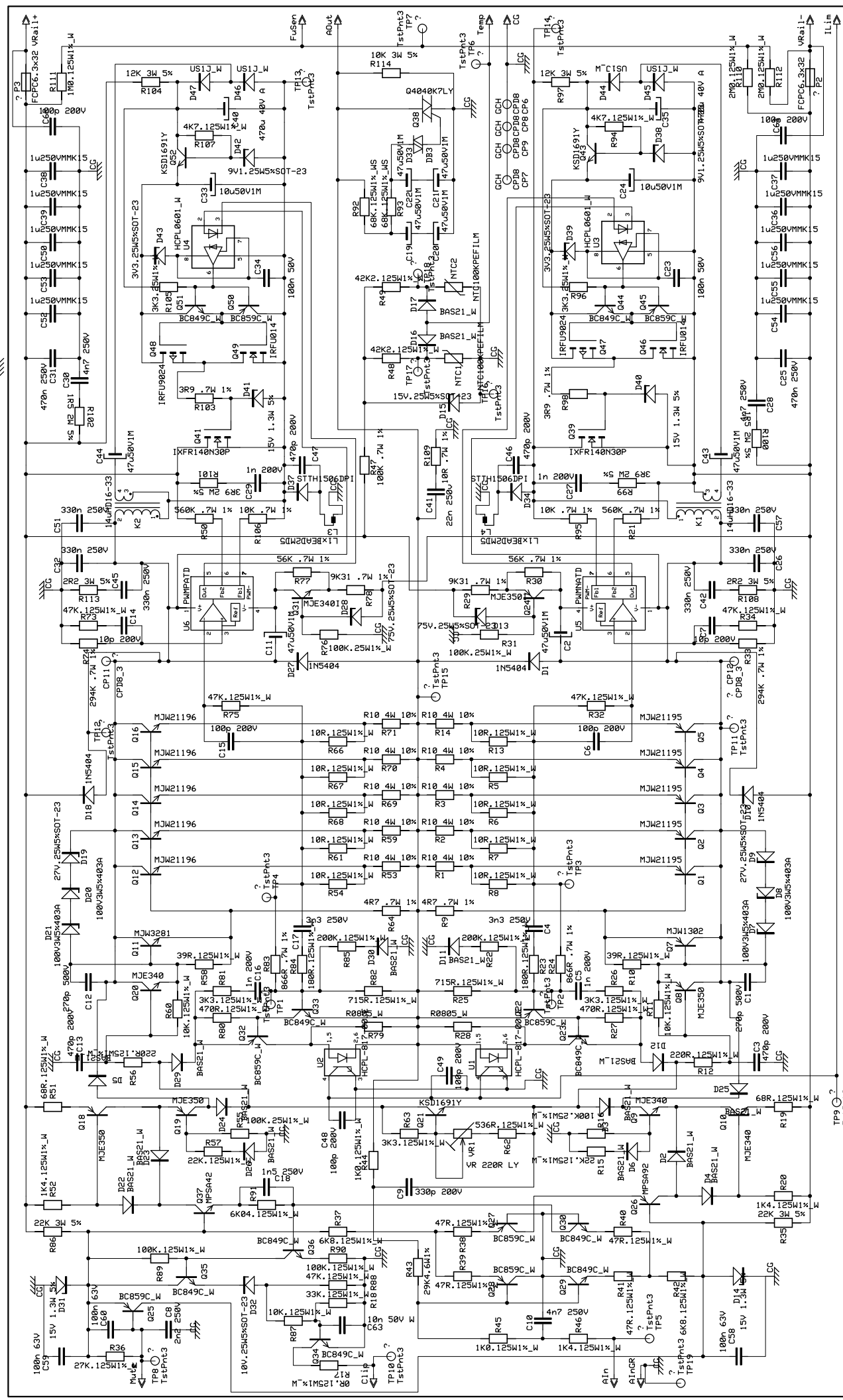
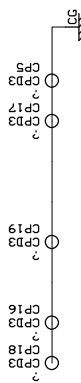


| | | | | | |
|--|-------|---------|--------------|------------------------|----------------|
| DESIGN KA | DRAWN | CHECKED | A60TD | REPLACES 100328 | REPLACED BY |
| LABGRUPPEN KUNGSBACKA SWEDEN | | | | Amplifier 6kW class TD | DATE 100329 |
| | | | | | |



| DESIGN | DRAWN | CHECKED | REPLACES | REPLACED BY |
|--------|-------|---------|------------------------|-------------|
| KA-AM | AM | AM | A60TD | A60TD09 |
| | | | 100328 | PAGE |
| | | | 100329 | DRAWING NO |
| | | | Amplifier 6kW class TD | |
| | | | KUNGSBACKA SWEDEN | |