

85 - 265 Vac

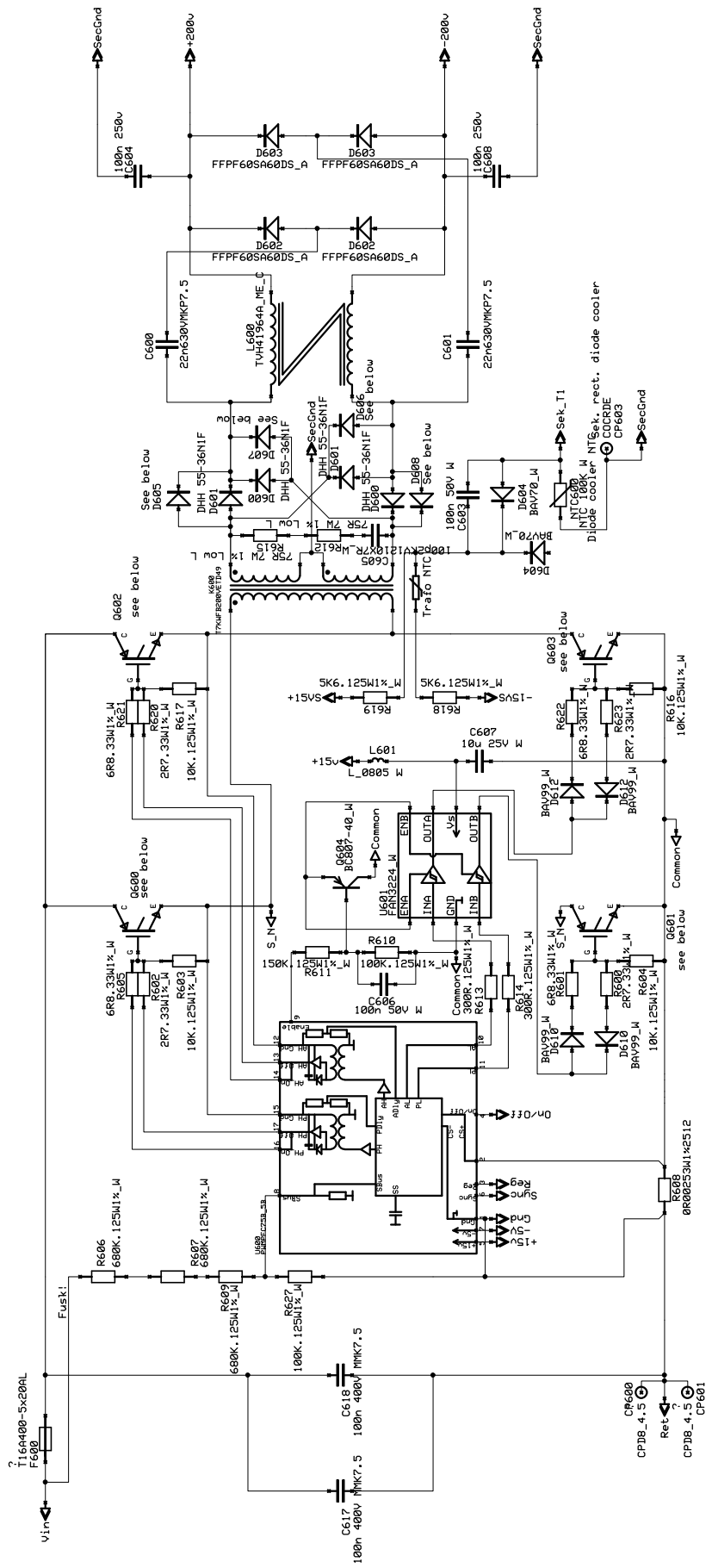
REPLACES	10-03-24
DATE	10-07-01
DRAWING NO	SP200PFC09

20kW PSU

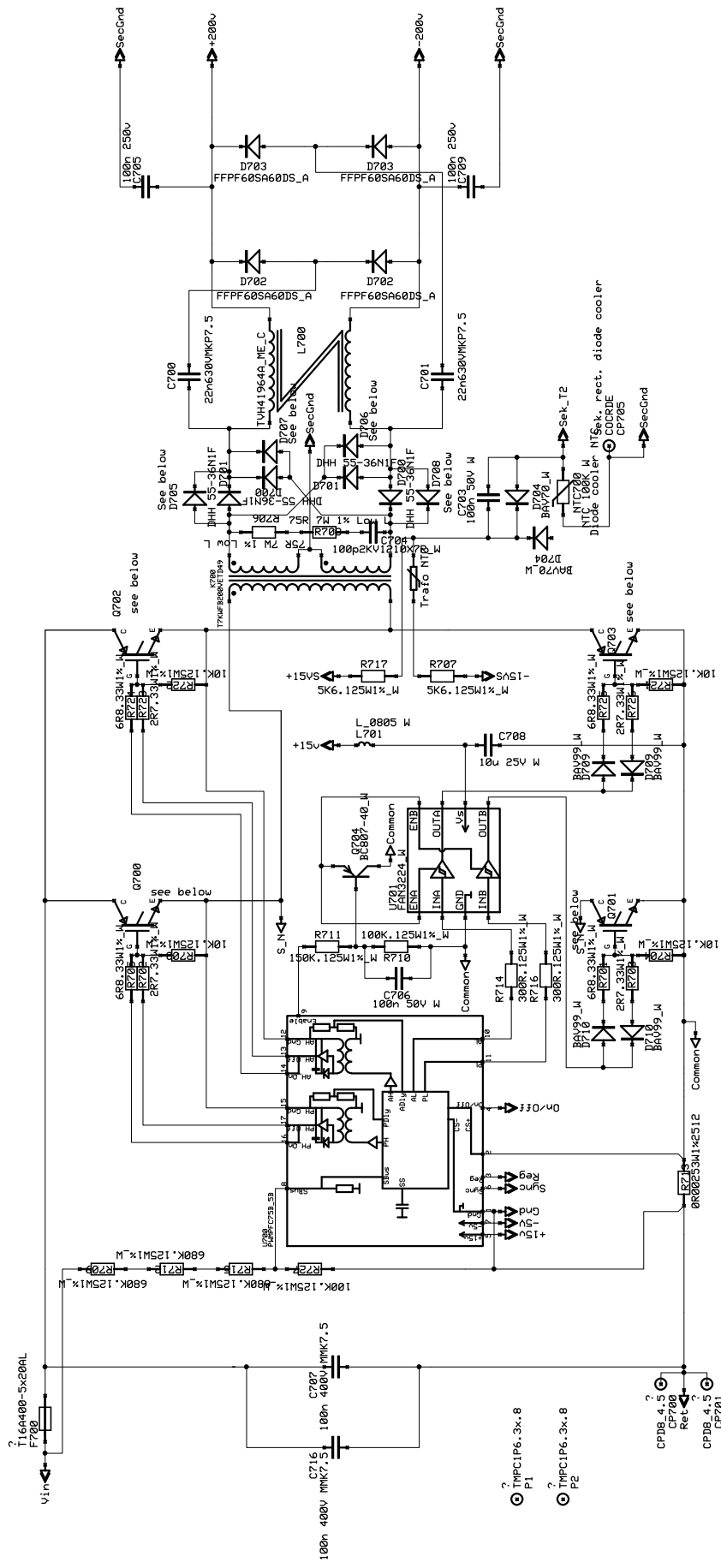
DESIGN DRAMIN CHECKED

LABGRUPPEN
KUNGSBACKA SWEDEN

REPLACES	10-03-24
DATE	10-07-01
DRAWING NO	SP200PFC09



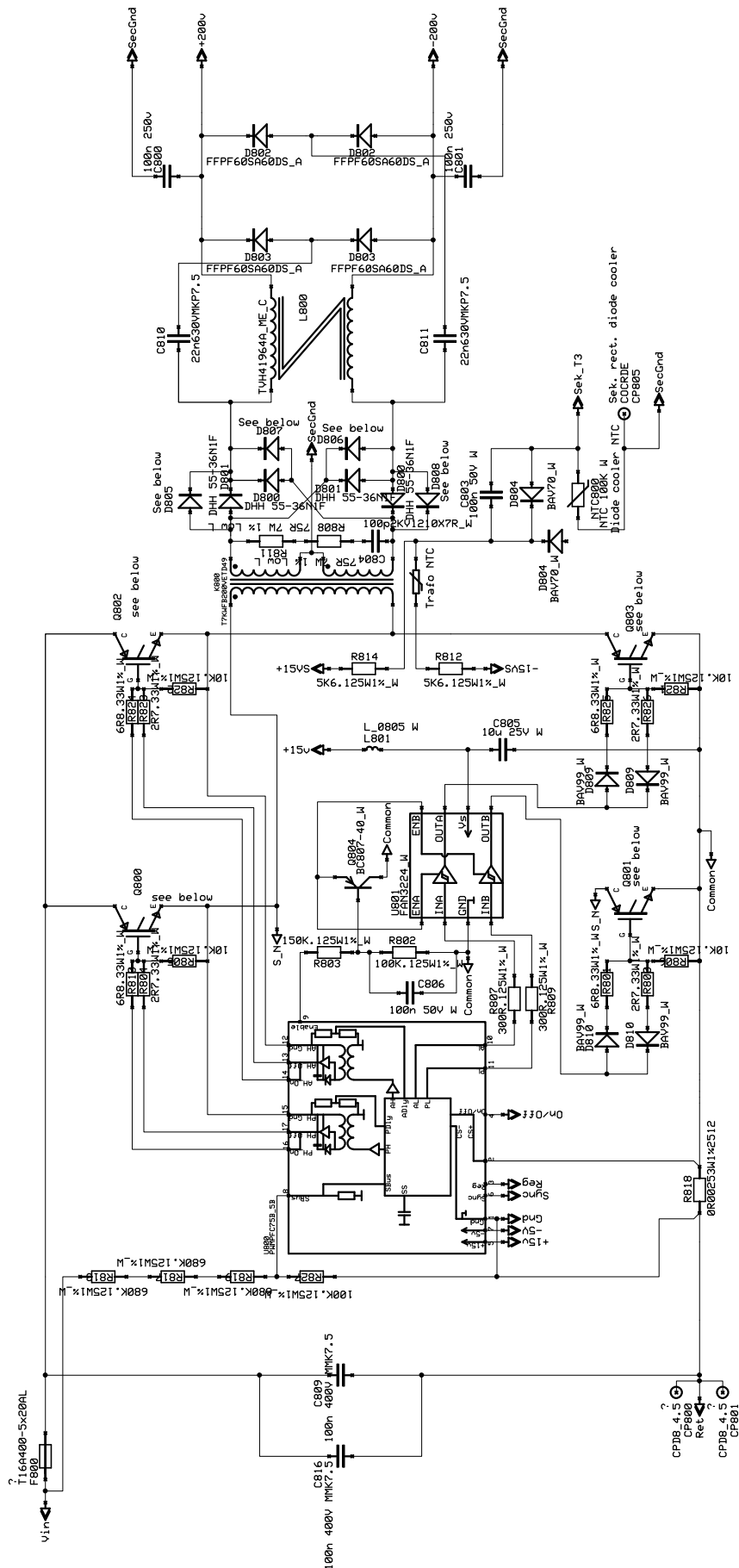
DESIGN	DRAWN	CHECKED	REPLACES	REPLACED BY
LABGRUPPEN KUNGSBACKA SWEDEN			Bridge_1	
			DATE	PAGE
			DRAWING NO	



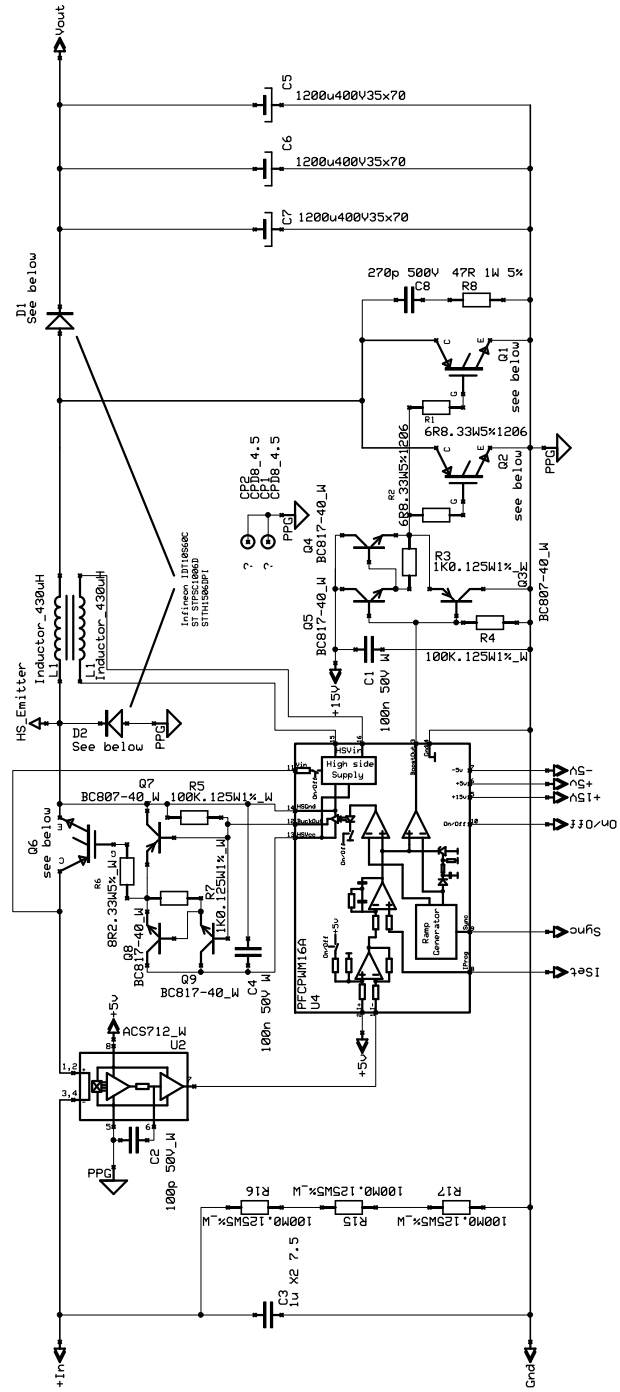
DESIGN	DRAWN	CHECKED	REPLACES	REPLACED BY
			DATE	PAGE
			DRAWING NO	

Bridge_2

LABGRUPPEN
KUNGSBACKA SWEDEN

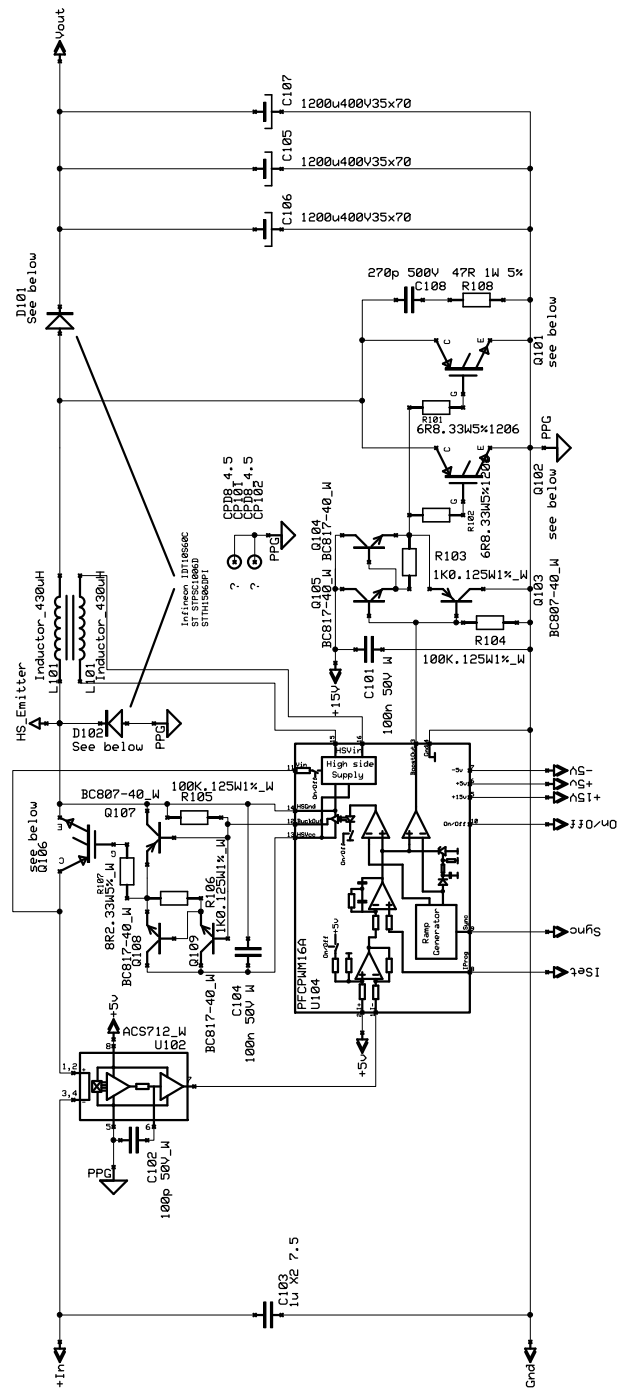


DESIGN	DRAWN	CHECKED	REPLACES	REPLACED BY
LABGRUPPEN			DATE	PAGE
KUNGSBACKA SWEDEN			BRIDGE_3	
			DATE	PAGE
			DRAWING NO	



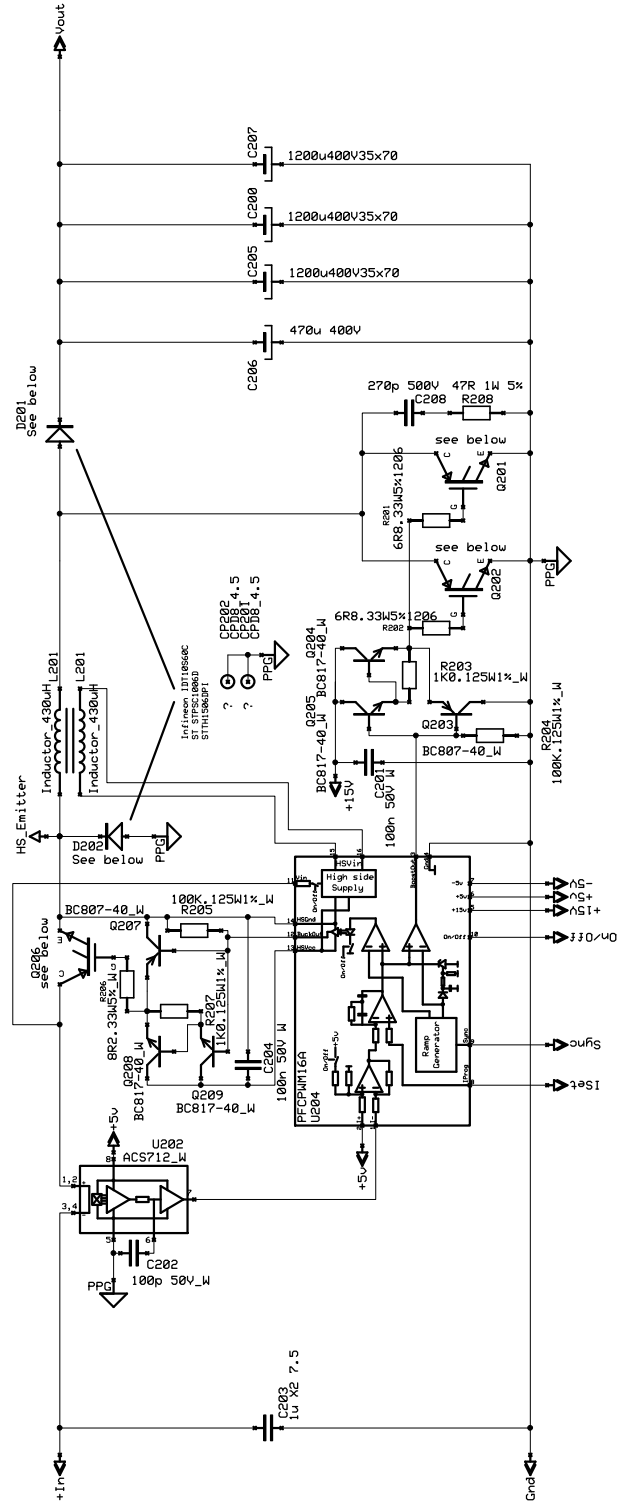
DESIGN MIN/ME	DRAWN	CHECKED	REPLACES	REPLACED BY
			Buck + Boost PFC 1.6kW	
			DATE	PAGE
			DRAWING NO	BBPFC16A01

LABGRUPPEN
KUNGSBACKA SWEDEN



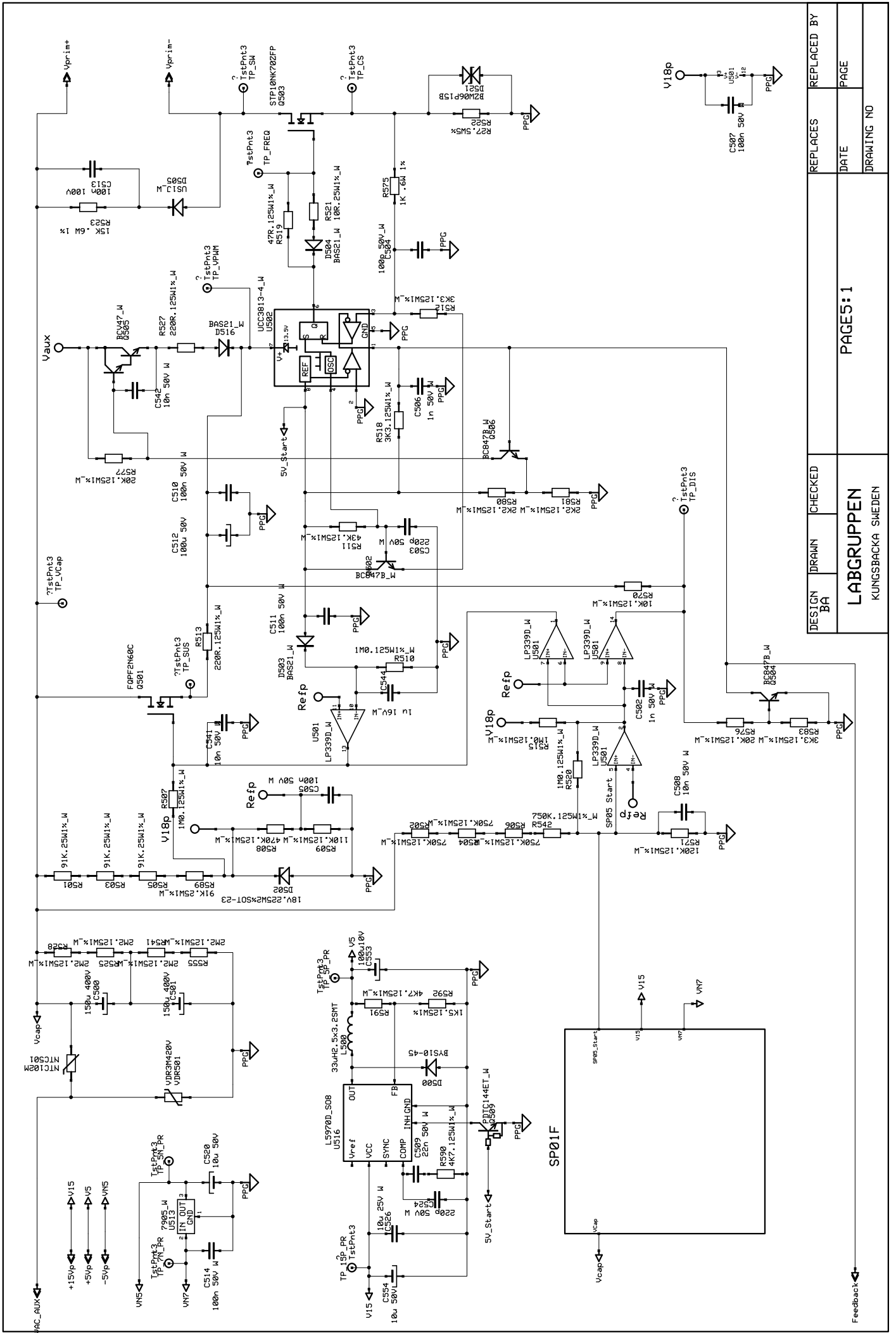
DESIGN MIN/ME	DRAWN	CHECKED	REPLACES	REPLACED BY
			Buck + Boost PFC 1.6kW	
			DATE	PAGE
			DRAWING NO	BBPFC16A01

LABGRUPPEN
KUNGSBACKA SWEDEN



DESIGN MIN/ME	DRAWN	CHECKED	REPLACES	REPLACED BY
			Buck + Boost PFC 1.6kW	
			DATE	PAGE
			DRAWING NO	BBPFC16A01

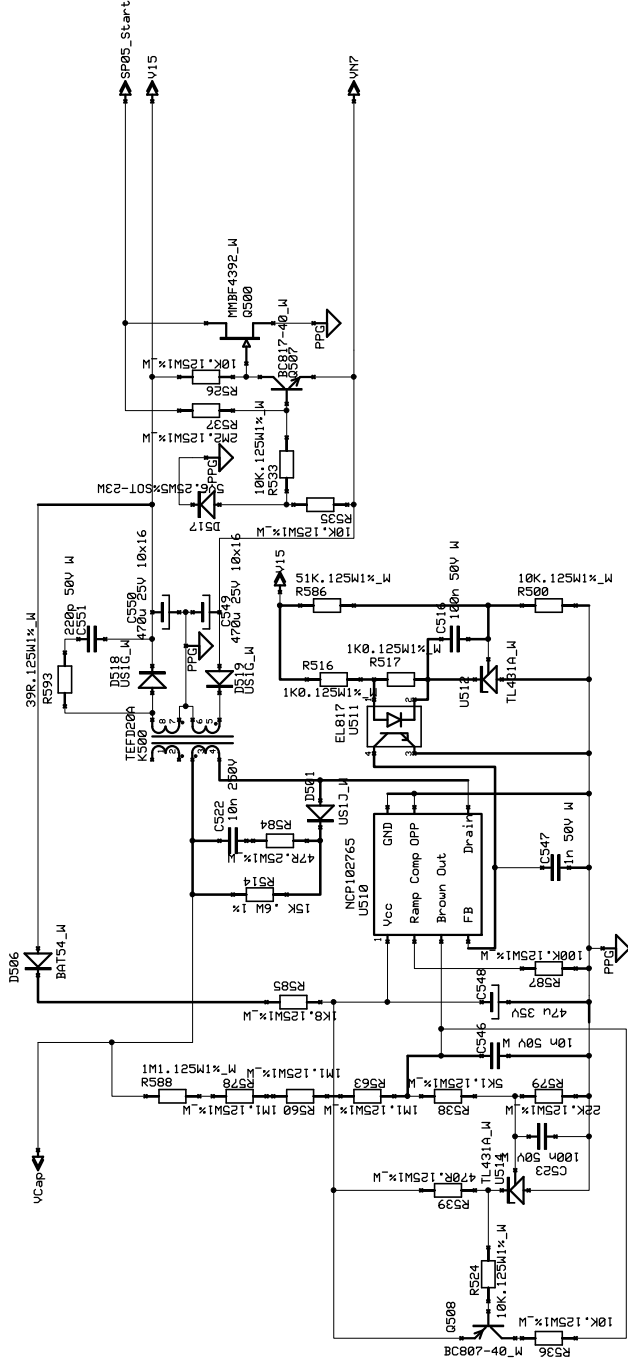
LABGRUPPEN
KUNGSBACKA SWEDEN



DESIGN	DRAWN	CHECKED	REPLACES	REPLACED BY
BA				
LABGRUPPEN KUNGSBACKA SWEDEN			DATE	PAGE
			DRAWING NO	

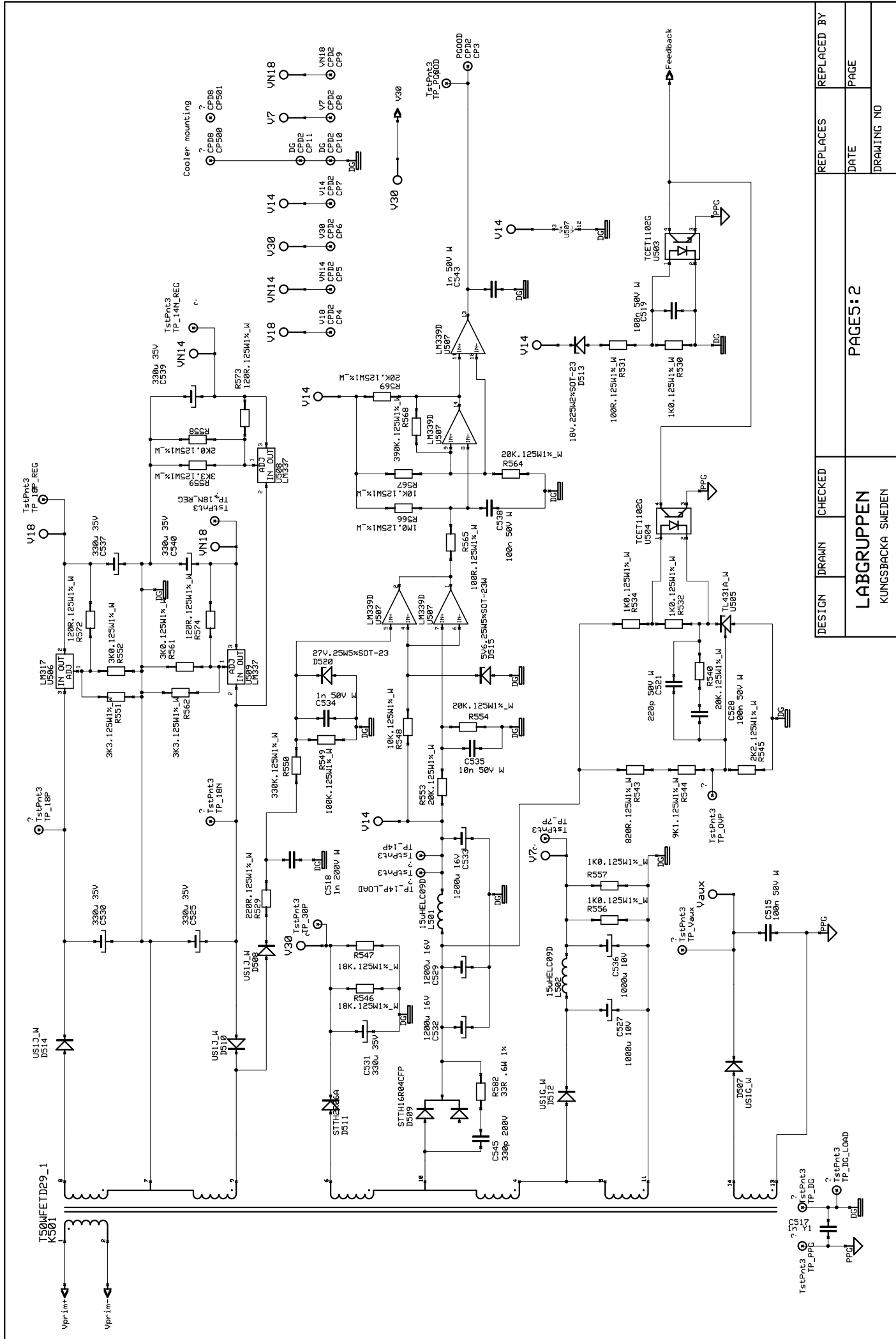
PAGES:1

Feedback

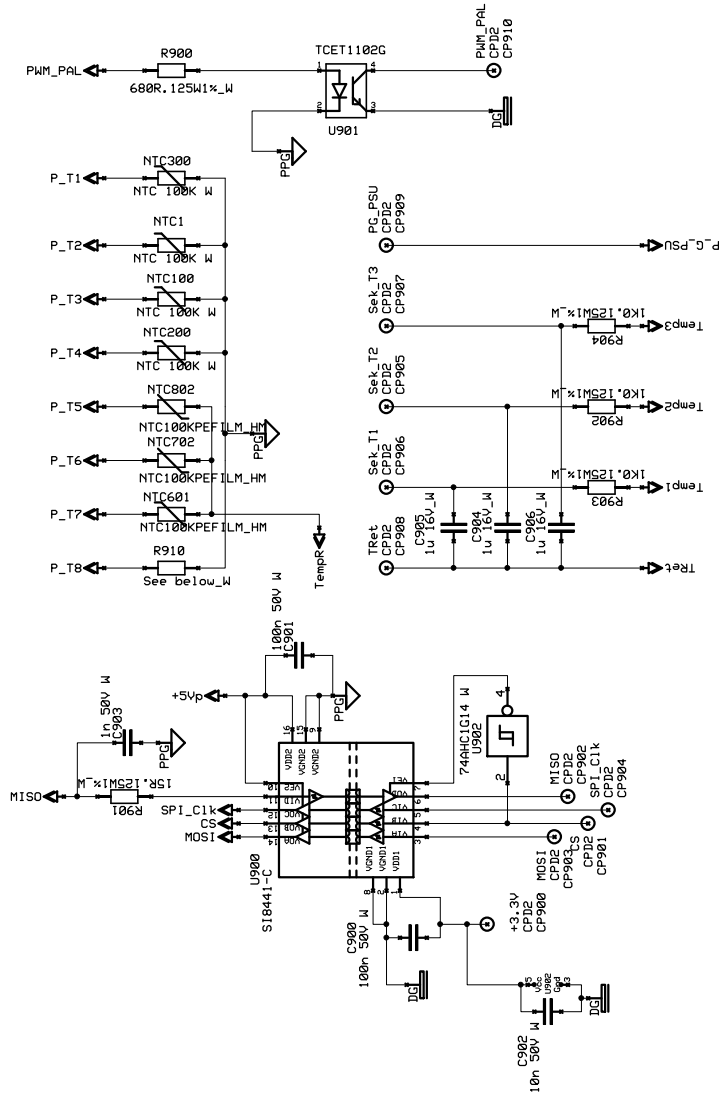


DESIGN	DRAWN	CHECKED	REPLACES	REPLACED BY
			SP01F	
			Switching Mode Power Supply 10W Flyback	
			DATE	PAGE
			DRAWING NO	

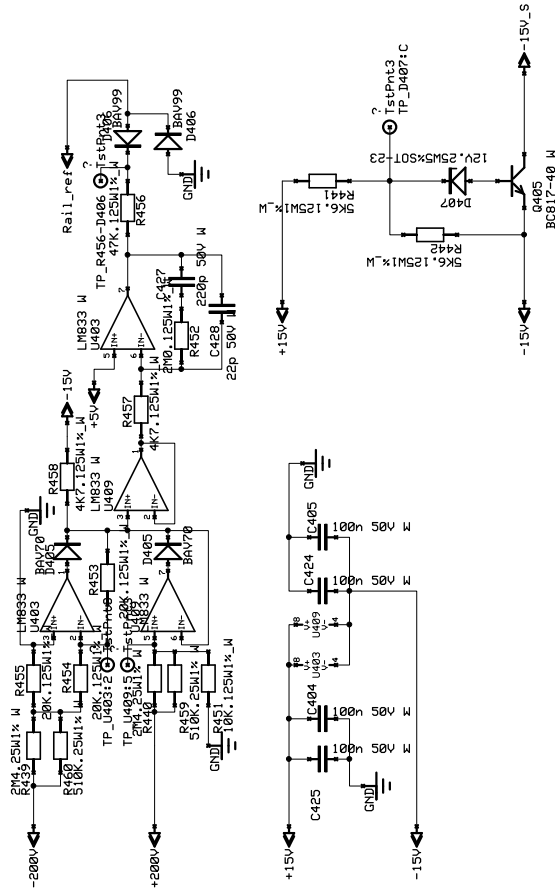
LABGRUPPEN
KUNGSBACKA SWEDEN



DESIGN	DRAWN	CHECKED	REPLACES	REPLACED BY
LABGRUPPEN			DATE	PAGE
KUNGSBACKA SWEDEN			DRAWING NO	



DESIGN	DRAWN	CHECKED	REPLACES	REPLACED BY
LABGRUPPEN KUNGSBACKA SWEDEN			DATE	PAGE
			DRAWING NO	



DESIGN	DRAWN	CHECKED	REPLACES	REPLACED BY
LABGRUPPEN KUNGSBACKA SWEDEN			DATE	PAGE
			DRAWING NO	