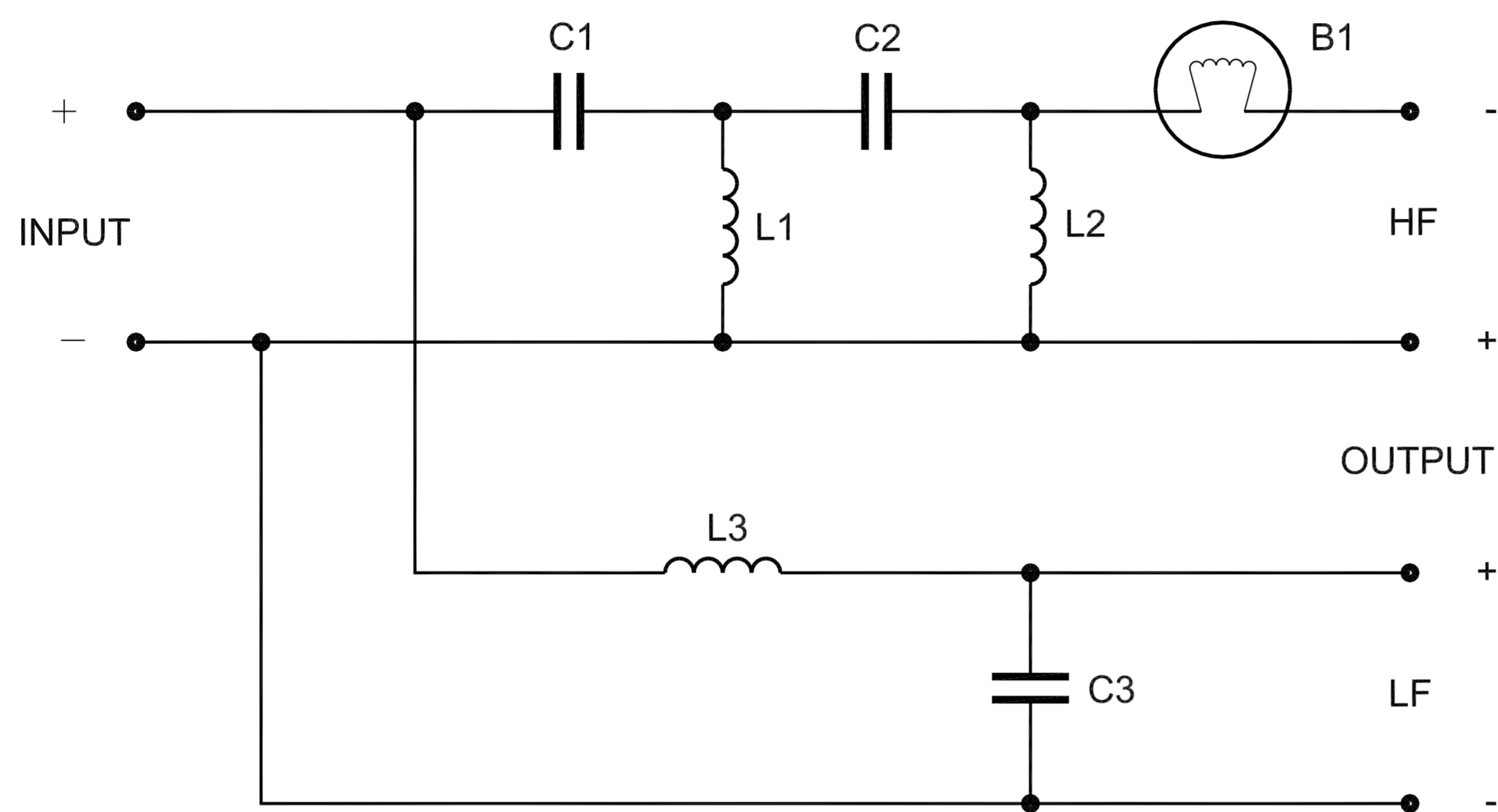
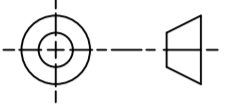
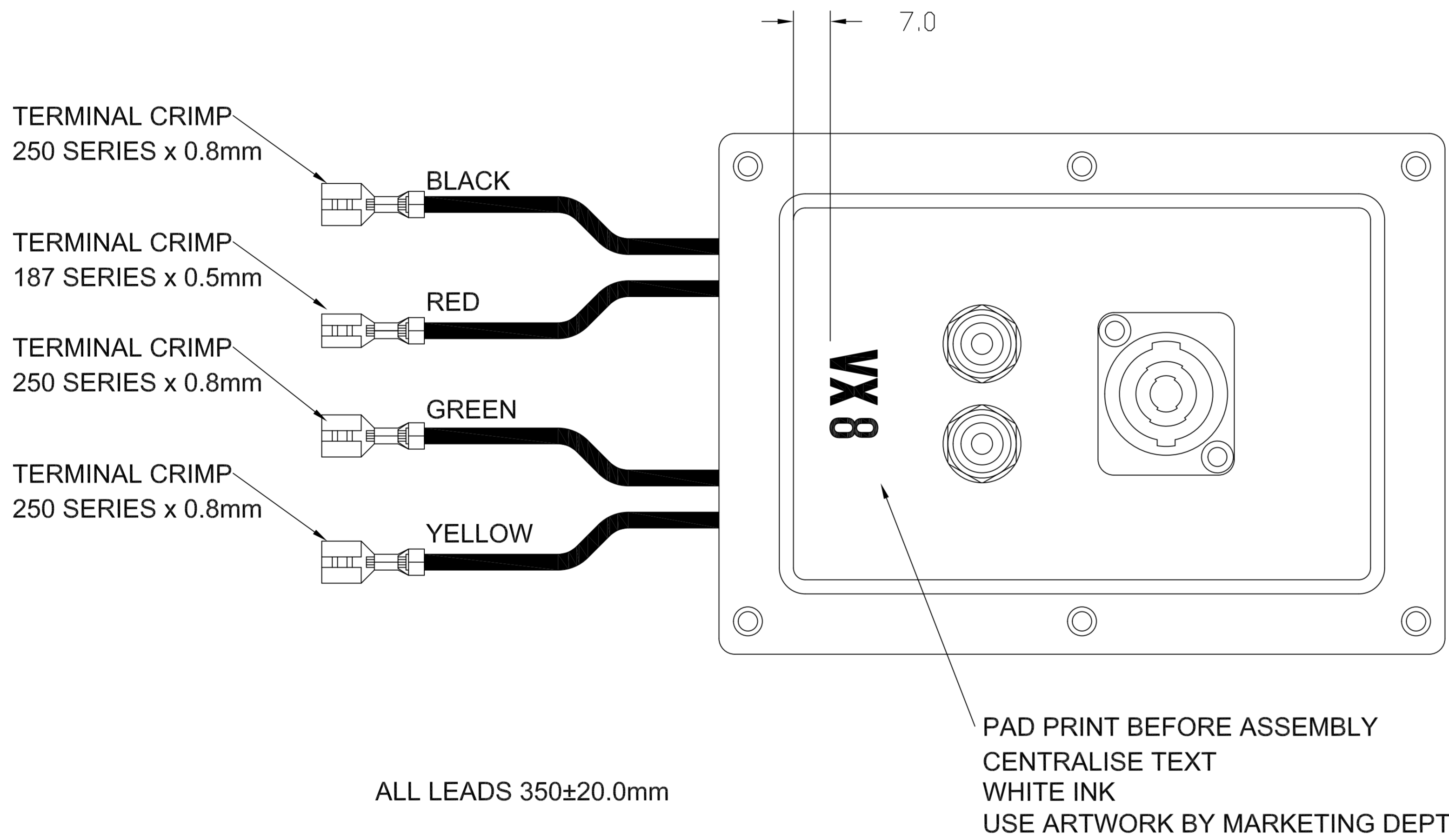


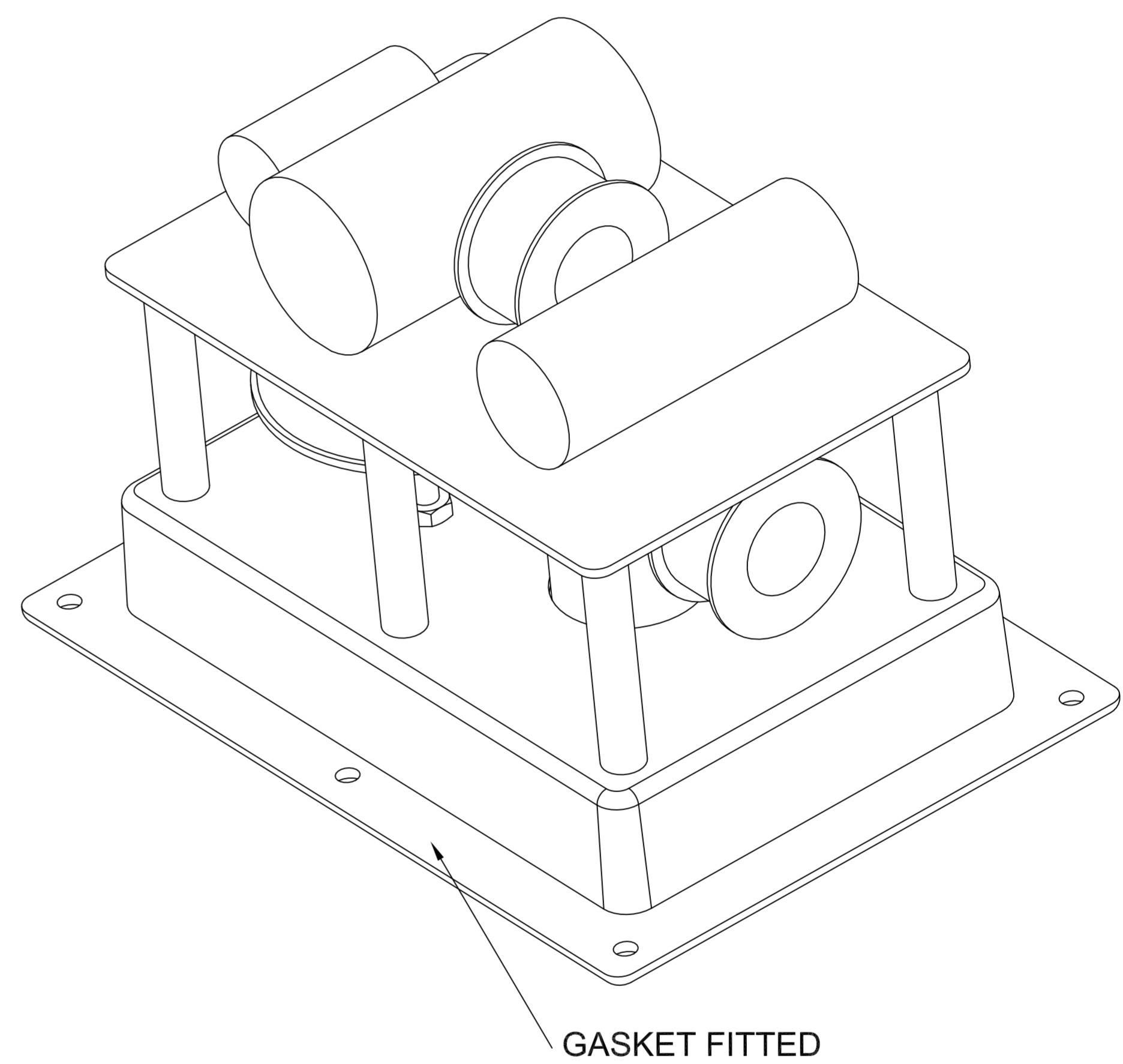
THIRD ANGLE PROJECTION



- NOTE: 1. H.F. POLARITY INVERTED
 2. BULB TO BE BONDED TO PCB. WITH SILICONE ADHESIVE.



C1	±5%	100V	2.7uF
C2	±5%	100V	8.2uF
C3	±5%	100V	12uF
L1			1.0mH
L2			0.7mH
L3			1.5mH
B1		12V/21W	



- NOTE:
 1. ALL WIRES, CONNECTORS AND PCB BOARD TO BE UL RECOGNISED.
 2. PCB MUST BE A UL RECOGNISED COMPONENT (ZPMV2), MIN V-1, MIN 105 ° C. RATED FOR DIRECT SUPPORT OF LIVE PARTS. PCB MUST BE PRINTED WITH THE RELEVANT INFORMATION TO CONFIRM PART COMPLIES.
 3. 2oz COPPER ON PCB BOARD, BASE MATERIAL - BAKELITE FR1

Part No. 7300 1328

First used on VX8

Issues

A 07/01/11 MS

1 07/01/11 MS

2 12/10/11 MS
 UL NOTE ADDED
 WIRE USED
 SPECIFIED
 CR8837

3 21/11/12 MS
 PCB NOTE ADDED,
 ADDITIONAL PRINT
 REQUIRED TO
 CONFIRM UL
 COMPLIANCE
 CR8896

TANNOY.

The contents, information and copyright of this document are the sole property of Tannoy Ltd and must not be published, applied or copied without the express knowledge & permission of the owners.

MATERIAL		
RED WIRE	1134 6074	
BLK WIRE	1134 6075	
GREEN WIRE	1134 6078	
YELLOW WIRE	1134 6079	

FINISH	

ALL DIMENSIONS IN MILLIMETRES	
Limits of tolerance unless stated:	RoHS Compliant
One place of decimal dim.	Drawn
Two places of decimal dim.	Checked
Holes 12.0mm dia & under	Approved
Holes over 12.0mm dia.	Scale

TITLE			
CROSSOVER TYPE 1706 - VX8	CROSSOVER TYPE 1706 - VX8	A2	7300 1328